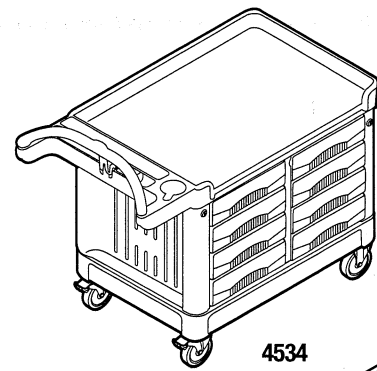
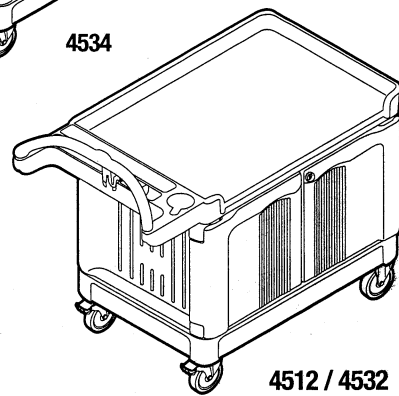


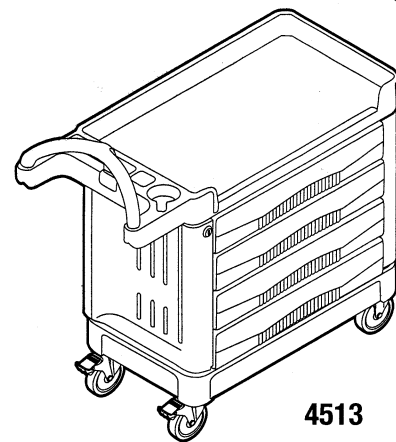
Rubbermaid[®]
Commercial Products



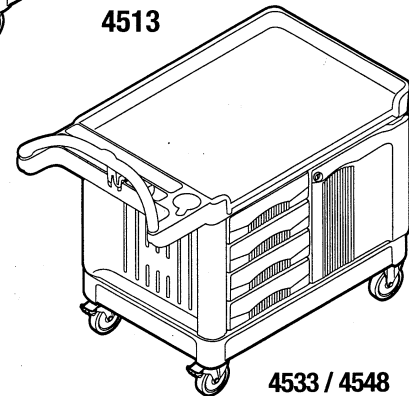
4534



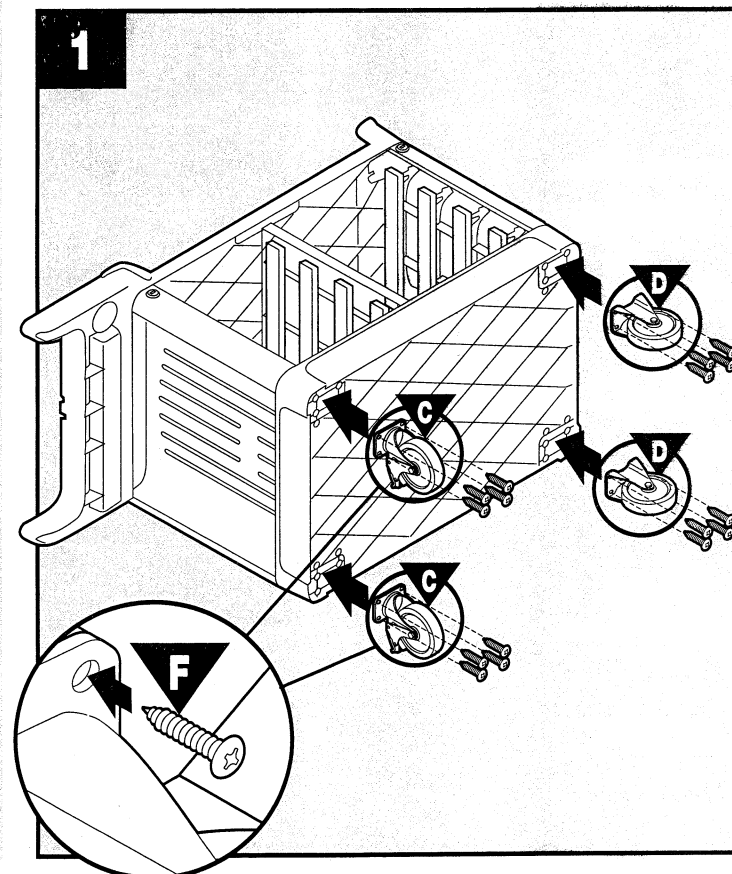
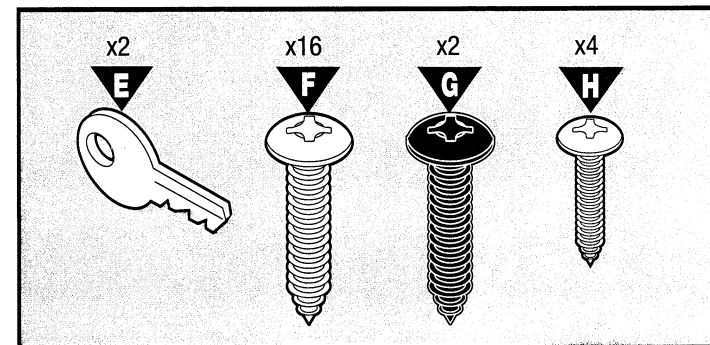
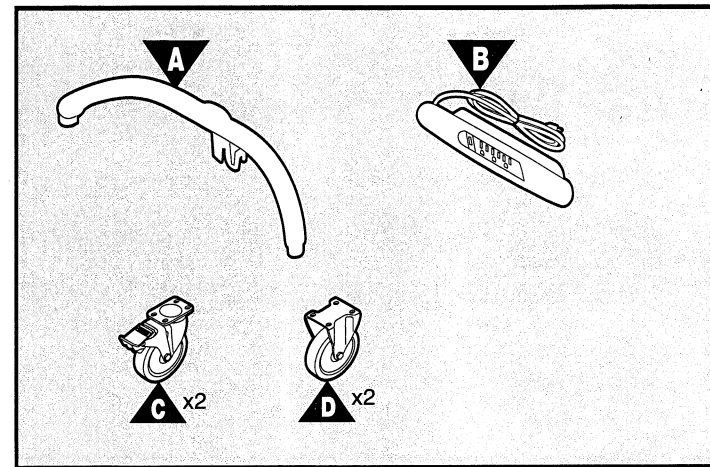
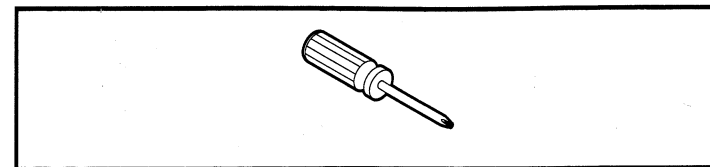
4512 / 4532



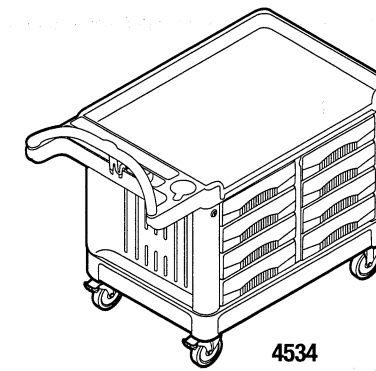
4513



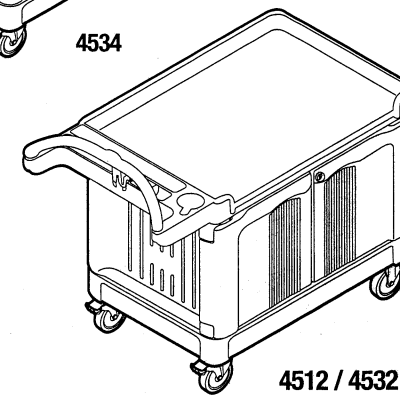
4533 / 4548



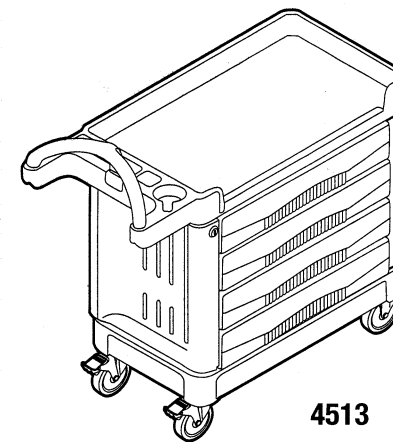
Rubbermaid[®]
Commercial Products



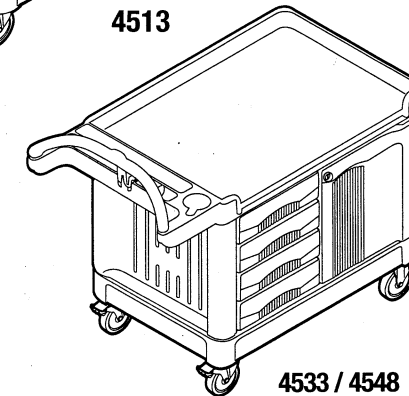
4534



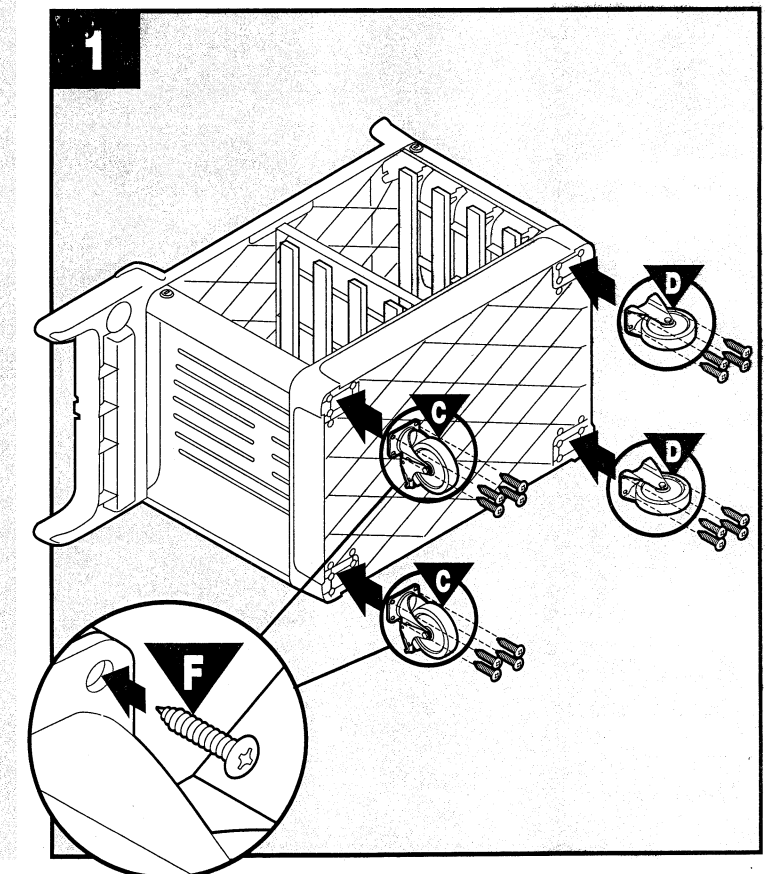
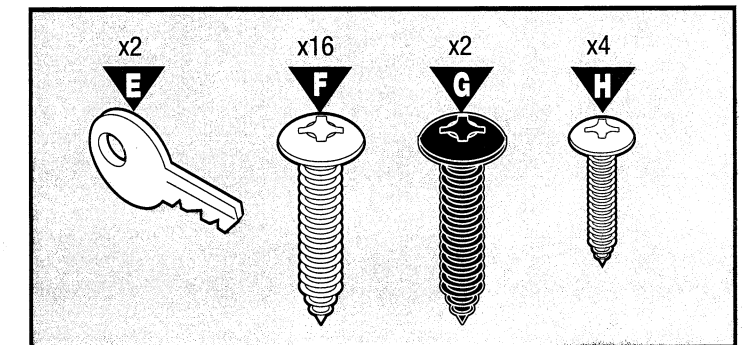
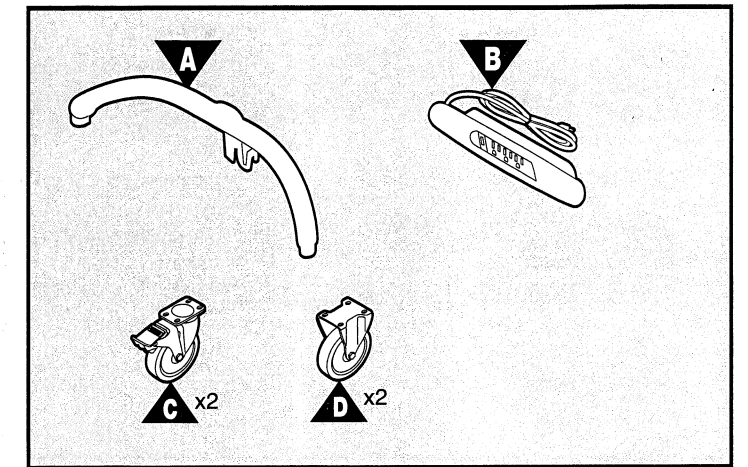
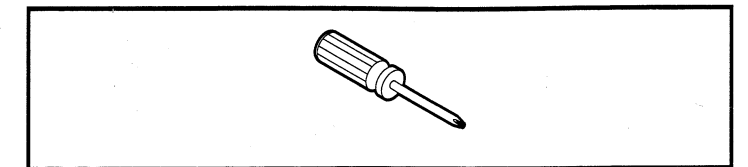
4512 / 4532

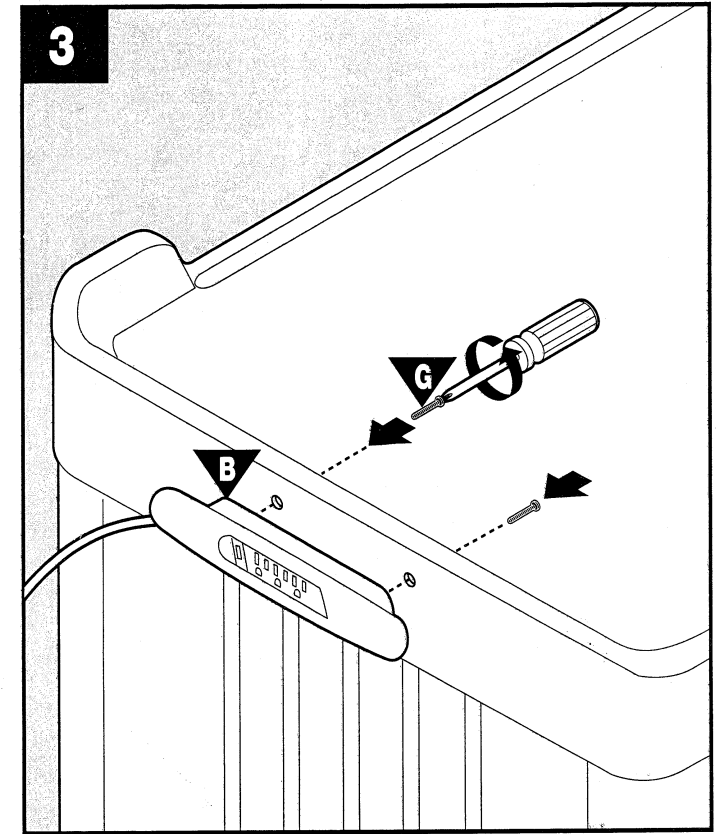
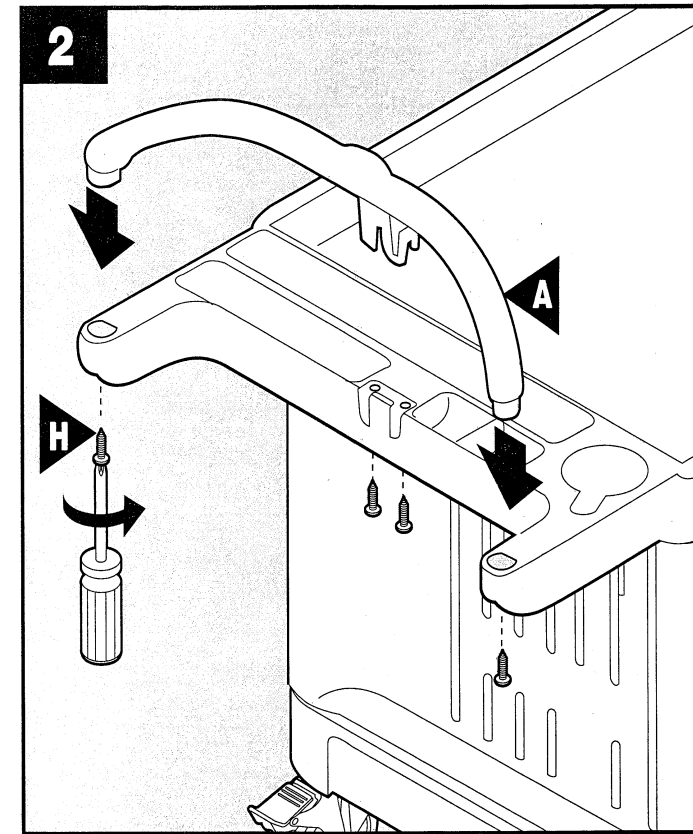
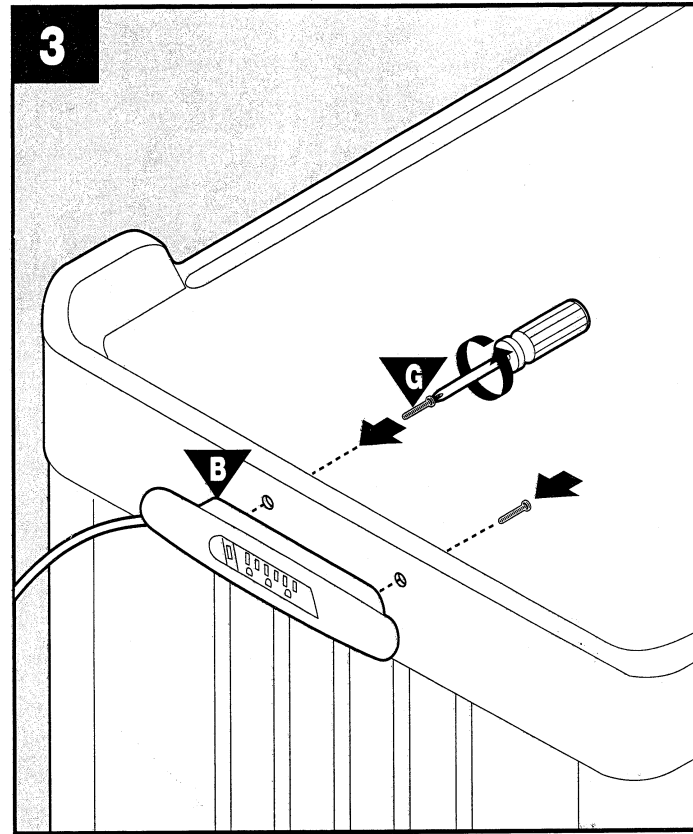
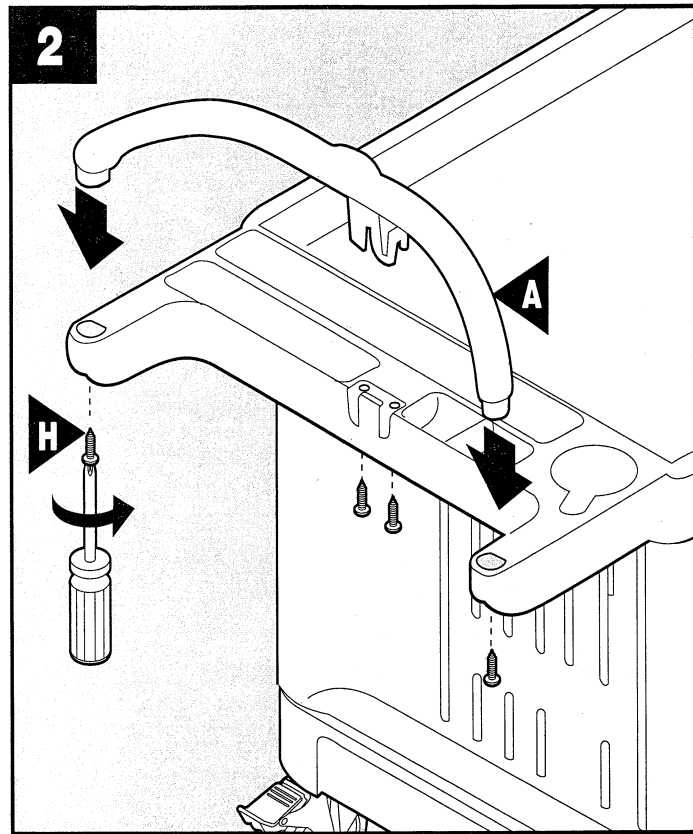


4513

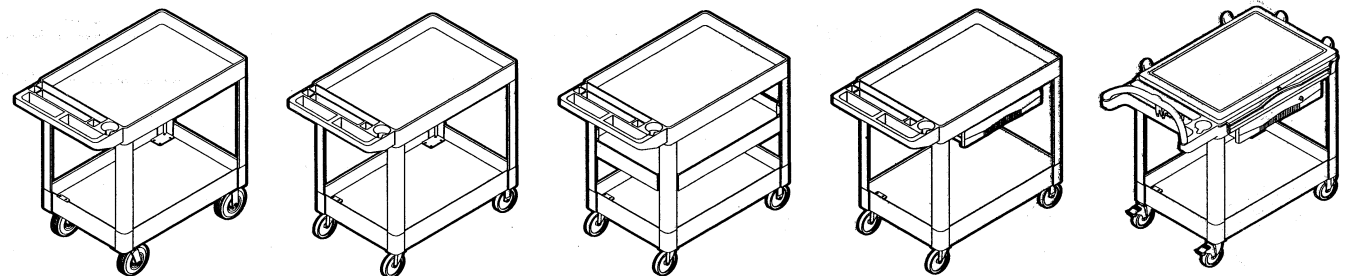


4533 / 4548

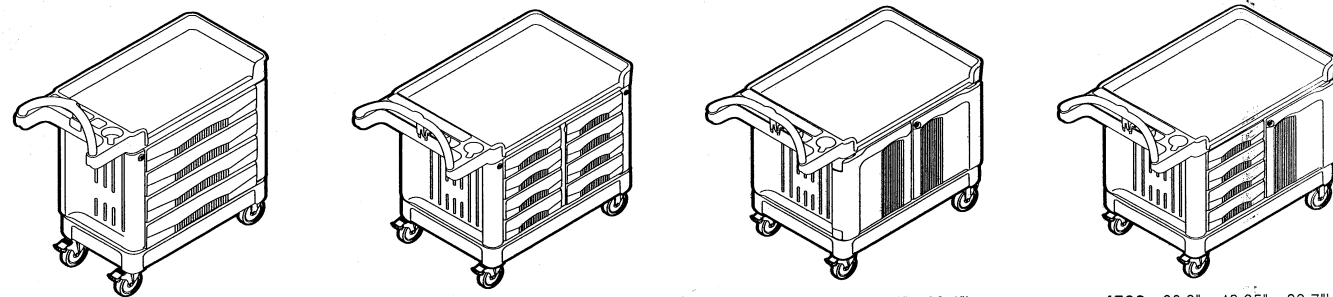




A CART FOR EVERY TASK / UN CARRITO PARA CADA TAREA / UNE CHARRETTE POUR CHAQUE TÂCHE



- 4520-10**—25.8" x 45.1" x 36"h **4500-88**—17.8" x 39.3" x 33"h **4510**—17.8" x 39.3" x 33"h **4511**—17.8" x 39.3" x 33"h **4535**—26.3" x 47.8" x 34.6"h
- 4546-10**—25.3" x 54.8" x 36.4"h **4520-88**—25.8" x 45.1" x 33"h **4530**—25.8" x 45.1" x 33"h **4531**—25.8" x 45.1" x 33"h **4547**—25.3" x 54.8" x 33.4"h



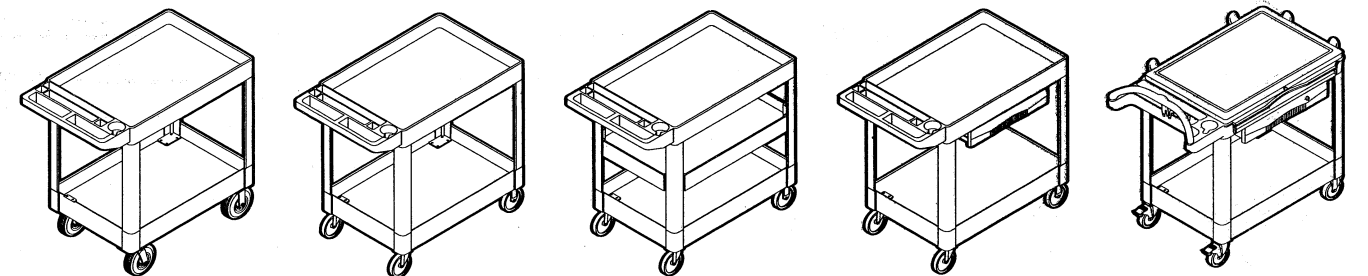
- 4513**—18.4" x 40" x 33.4"h **4534**—26.2" x 47.8" x 33.7"h **4512**—18.3" x 41.1" x 33.4"h **4533**—26.2" x 48.95" x 33.7"h
- 4532**—26.2" x 48.95" x 33.7"h **4548**—26.1" x 58.5" x 33.7"h

Products manufactured under quality management system registered to ISO 9001:2000
 ©2005 Rubbermaid Commercial Products LLC
 Printed in U.S.A. 4/05
 Instructions #72-4512-00

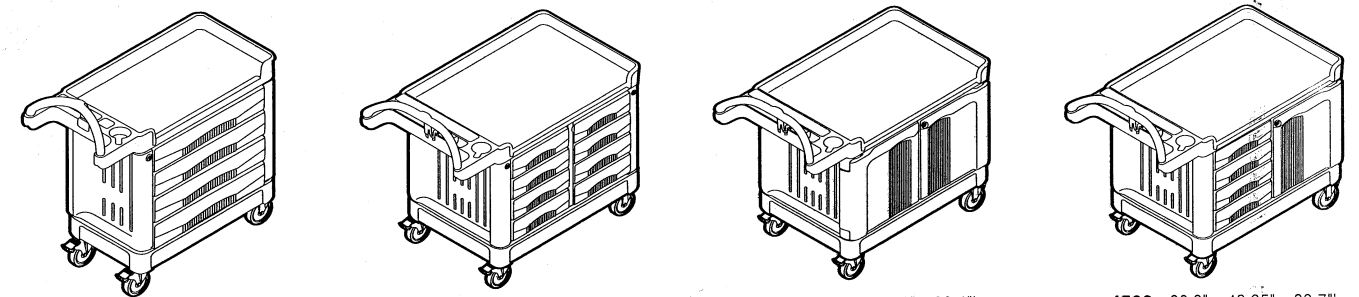


Rubbermaid Commercial Products LLC
 3124 Valley Avenue
 Winchester, VA 22601 U.S.A.
 Phone: 540-667-8700
 Fax: 540-542-8770
www.rubbermaidcommercial.com

A CART FOR EVERY TASK / UN CARRITO PARA CADA TAREA / UNE CHARRETTE POUR CHAQUE TÂCHE



- 4520-10**—25.8" x 45.1" x 36"h **4500-88**—17.8" x 39.3" x 33"h **4510**—17.8" x 39.3" x 33"h **4511**—17.8" x 39.3" x 33"h **4535**—26.3" x 47.8" x 34.6"h
- 4546-10**—25.3" x 54.8" x 36.4"h **4520-88**—25.8" x 45.1" x 33"h **4530**—25.8" x 45.1" x 33"h **4531**—25.8" x 45.1" x 33"h **4547**—25.3" x 54.8" x 33.4"h



- 4513**—18.4" x 40" x 33.4"h **4534**—26.2" x 47.8" x 33.7"h **4512**—18.3" x 41.1" x 33.4"h **4533**—26.2" x 48.95" x 33.7"h
- 4532**—26.2" x 48.95" x 33.7"h **4548**—26.1" x 58.5" x 33.7"h

Products manufactured under quality management system registered to ISO 9001:2000
 ©2005 Rubbermaid Commercial Products LLC
 Printed in U.S.A. 4/05
 Instructions #72-4512-00



Rubbermaid Commercial Products LLC
 3124 Valley Avenue
 Winchester, VA 22601 U.S.A.
 Phone: 540-667-8700
 Fax: 540-542-8770
www.rubbermaidcommercial.com