



CONFIGURE™

INDOOR RECYCLING

The Configure™ decorative refuse containers provide a customizable recycling solution with sleek, smooth surfaces and contoured edges. This recycling system has a modern appearance that will fit seamlessly into any indoor or outdoor commercial environment.

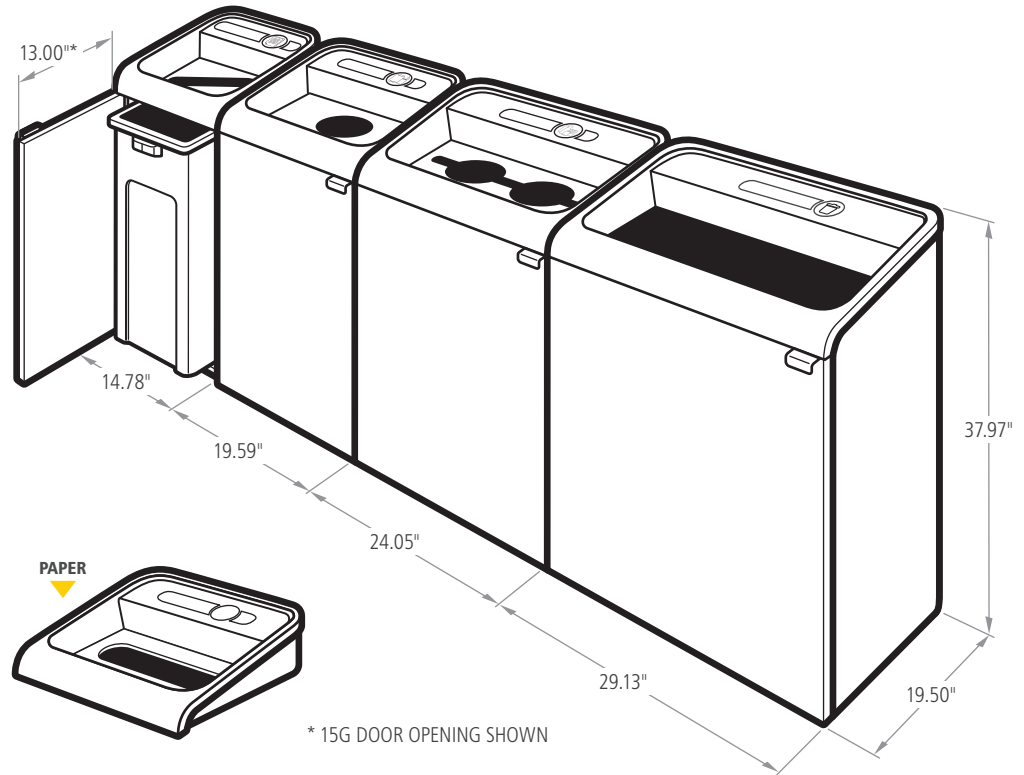
FEATURES AND BENEFITS:

FEATURES

- ▶ Magnetic connection keeps the containers arranged in the order that best fits the space – in a row or an island
- ▶ The easy-access front door and handle allow for ergonomic emptying of waste
- ▶ The internal door hinge prevents unsightly wall damage and helps maintain a neat, clean appearance
- ▶ Rigid plastic liners with handles have built-in venting channels that create airflow, making removal of waste faster and easier, improving productivity
- ▶ Secure liner bags with integrated liner cinches, allowing for knot-free liner changes
- ▶ 230+ color options and the ability to laser cut or add a decal logo
- ▶ Shipped fully assembled

ACCESSORIES

- ▶ Optional lock and key ensures the contents of the receptacle remain securely stored in-between emptying, providing a cleaner surrounding area



PAPER



* 15G DOOR OPENING SHOWN

MIXED RECYCLING



BOTTLES/CANS



OPEN TOP



ADDITIONAL WASTE STREAM LABELS AVAILABLE AT RUBBERMAIDCOMMERCIAL.COM/CUSTOMIZE

GALLONS	LENGTH (in.)	WIDTH (in.)	HEIGHT (in.)	DOOR OPENING
15G	14.78	19.50	37.97	13.00* (SHOWN)
23G	19.59	19.50	37.97	17.50
33G	24.05	19.50	37.97	22.03
45G	29.13	19.50	37.97	26.50

NOTE: 23G LABELS SHOWN

BUILD YOUR OWN ▶ RUBBERMAIDCOMMERCIAL.COM/CUSTOMIZE



CONFIGURE™

INDOOR RECYCLING

▶ FRONT COLOR OPTIONS



▶ SIDE/BACK COLOR OPTIONS



SKU #	DESCRIPTION	LINERS	FRONT COLOR	SIDE/BACK COLOR	GALLONS	LENGTH (in.)	WIDTH (in.)	HEIGHT (in.)
1961614	CONFIGURE 1 STREAM LANDFILL	PLASTIC	GREY STENNI GLOSS	TEXTURED BLACK	15	14.78	19.50	37.97
1961615	CONFIGURE 1 STREAM MIXED RECYCLING	PLASTIC	GREY STENNI GLOSS	TEXTURED BLACK	15	14.78	19.50	37.97
1961616	CONFIGURE 1 STREAM PAPER	PLASTIC	GREY STENNI GLOSS	TEXTURED BLACK	15	14.78	19.50	37.97
1961617	CONFIGURE 1 STREAM PLASTIC	PLASTIC	GREY STENNI GLOSS	TEXTURED BLACK	15	14.78	19.50	37.97
1961618	CONFIGURE 1 STREAM GLASS	PLASTIC	GREY STENNI GLOSS	TEXTURED BLACK	15	14.78	19.50	37.97
1961619	CONFIGURE 1 STREAM CANS	PLASTIC	GREY STENNI GLOSS	TEXTURED BLACK	15	14.78	19.50	37.97
1961620	CONFIGURE 1 STREAM ORGANIC WASTE	PLASTIC	GREY STENNI GLOSS	TEXTURED BLACK	15	14.78	19.50	37.97
1961621	CONFIGURE 1 STREAM LANDFILL	PLASTIC	GREY STENNI GLOSS	TEXTURED BLACK	23	19.59	19.50	37.97
1961622	CONFIGURE 1 STREAM MIXED RECYCLING	PLASTIC	GREY STENNI GLOSS	TEXTURED BLACK	23	19.59	19.50	37.97
1961623	CONFIGURE 1 STREAM PAPER	PLASTIC	GREY STENNI GLOSS	TEXTURED BLACK	23	19.59	19.50	37.97
1961624	CONFIGURE 1 STREAM PLASTIC	PLASTIC	GREY STENNI GLOSS	TEXTURED BLACK	23	19.59	19.50	37.97
1961625	CONFIGURE 1 STREAM GLASS	PLASTIC	GREY STENNI GLOSS	TEXTURED BLACK	23	19.59	19.50	37.97
1961626	CONFIGURE 1 STREAM CANS	PLASTIC	GREY STENNI GLOSS	TEXTURED BLACK	23	19.59	19.50	37.97
1961627	CONFIGURE 1 STREAM ORGANIC WASTE	PLASTIC	GREY STENNI GLOSS	TEXTURED BLACK	23	19.59	19.50	37.97
1961628	CONFIGURE 1 STREAM LANDFILL	PLASTIC	GREY STENNI GLOSS	TEXTURED BLACK	33	24.05	19.50	37.97
1961629	CONFIGURE 1 STREAM MIXED RECYCLING	PLASTIC	GREY STENNI GLOSS	TEXTURED BLACK	33	24.05	19.50	37.97
1961630	CONFIGURE 1 STREAM PAPER	PLASTIC	GREY STENNI GLOSS	TEXTURED BLACK	33	24.05	19.50	37.97
1961641	CONFIGURE 1 STREAM PLASTIC	PLASTIC	GREY STENNI GLOSS	TEXTURED BLACK	33	24.05	19.50	37.97
1961642	CONFIGURE 1 STREAM GLASS	PLASTIC	GREY STENNI GLOSS	TEXTURED BLACK	33	24.05	19.50	37.97
1961505	CONFIGURE 1 STREAM CANS	PLASTIC	GREY STENNI GLOSS	TEXTURED BLACK	33	24.05	19.50	37.97
1961506	CONFIGURE 1 STREAM ORGANIC WASTE	PLASTIC	GREY STENNI GLOSS	TEXTURED BLACK	33	24.05	19.50	37.97
1961507	CONFIGURE 1 STREAM LANDFILL	PLASTIC	GREY STENNI GLOSS	TEXTURED BLACK	45	29.13	19.50	37.97
1961508	CONFIGURE 1 STREAM MIXED RECYCLING	PLASTIC	GREY STENNI GLOSS	TEXTURED BLACK	45	29.13	19.50	37.97
1961509	CONFIGURE 1 STREAM PAPER	PLASTIC	GREY STENNI GLOSS	TEXTURED BLACK	45	29.13	19.50	37.97
1961510	CONFIGURE 1 STREAM PLASTIC	PLASTIC	GREY STENNI GLOSS	TEXTURED BLACK	45	29.13	19.50	37.97
1961681	CONFIGURE 1 STREAM GLASS	PLASTIC	GREY STENNI GLOSS	TEXTURED BLACK	45	29.13	19.50	37.97
1961682	CONFIGURE 1 STREAM CANS	PLASTIC	GREY STENNI GLOSS	TEXTURED BLACK	45	29.13	19.50	37.97
1961683	CONFIGURE 1 STREAM ORGANIC WASTE	PLASTIC	GREY STENNI GLOSS	TEXTURED BLACK	45	29.13	19.50	37.97

BUILD YOUR OWN ▶ RUBBERMAIDCOMMERCIAL.COM/CUSTOMIZE

NOTE: OPEN TOP IS STOCK LID STYLE.





CONFIGURE™

INDOOR RECYCLING

▶ FRONT COLOR OPTIONS



▶ SIDE/BACK COLOR OPTIONS



SKU #	DESCRIPTION	LINERS	FRONT COLOR	SIDE/BACK COLOR	GALLONS	LENGTH (in.)	WIDTH (in.)	HEIGHT (in.)
1961711	CONFIGURE 1 STREAM LANDFILL	PLASTIC	STAINLESS STEEL	STAINLESS STEEL	15	14.78	19.50	37.97
1961684	CONFIGURE 1 STREAM MIXED RECYCLING	PLASTIC	STAINLESS STEEL	STAINLESS STEEL	15	14.78	19.50	37.97
1961685	CONFIGURE 1 STREAM PAPER	PLASTIC	STAINLESS STEEL	STAINLESS STEEL	15	14.78	19.50	37.97
1961686	CONFIGURE 1 STREAM PLASTIC	PLASTIC	STAINLESS STEEL	STAINLESS STEEL	15	14.78	19.50	37.97
1961687	CONFIGURE 1 STREAM GLASS	PLASTIC	STAINLESS STEEL	STAINLESS STEEL	15	14.78	19.50	37.97
1961688	CONFIGURE 1 STREAM CANS	PLASTIC	STAINLESS STEEL	STAINLESS STEEL	15	14.78	19.50	37.97
1961689	CONFIGURE 1 STREAM ORGANIC WASTE	PLASTIC	STAINLESS STEEL	STAINLESS STEEL	15	14.78	19.50	37.97
1961690	CONFIGURE 1 STREAM LANDFILL	PLASTIC	STAINLESS STEEL	STAINLESS STEEL	23	19.59	19.50	37.97
1961691	CONFIGURE 1 STREAM MIXED RECYCLING	PLASTIC	STAINLESS STEEL	STAINLESS STEEL	23	19.59	19.50	37.97
1961692	CONFIGURE 1 STREAM PAPER	PLASTIC	STAINLESS STEEL	STAINLESS STEEL	23	19.59	19.50	37.97
1961693	CONFIGURE 1 STREAM PLASTIC	PLASTIC	STAINLESS STEEL	STAINLESS STEEL	23	19.59	19.50	37.97
1961694	CONFIGURE 1 STREAM GLASS	PLASTIC	STAINLESS STEEL	STAINLESS STEEL	23	19.59	19.50	37.97
1961695	CONFIGURE 1 STREAM CANS	PLASTIC	STAINLESS STEEL	STAINLESS STEEL	23	19.59	19.50	37.97
1961696	CONFIGURE 1 STREAM ORGANIC WASTE	PLASTIC	STAINLESS STEEL	STAINLESS STEEL	23	19.59	19.50	37.97
1961697	CONFIGURE 1 STREAM LANDFILL	PLASTIC	STAINLESS STEEL	STAINLESS STEEL	33	24.05	19.50	37.97
1961698	CONFIGURE 1 STREAM MIXED RECYCLING	PLASTIC	STAINLESS STEEL	STAINLESS STEEL	33	24.05	19.50	37.97
1961699	CONFIGURE 1 STREAM PAPER	PLASTIC	STAINLESS STEEL	STAINLESS STEEL	33	24.05	19.50	37.97
1961700	CONFIGURE 1 STREAM PLASTIC	PLASTIC	STAINLESS STEEL	STAINLESS STEEL	33	24.05	19.50	37.97
1961701	CONFIGURE 1 STREAM GLASS	PLASTIC	STAINLESS STEEL	STAINLESS STEEL	33	24.05	19.50	37.97
1961702	CONFIGURE 1 STREAM CANS	PLASTIC	STAINLESS STEEL	STAINLESS STEEL	33	24.05	19.50	37.97
1961703	CONFIGURE 1 STREAM ORGANIC WASTE	PLASTIC	STAINLESS STEEL	STAINLESS STEEL	33	24.05	19.50	37.97
1961704	CONFIGURE 1 STREAM LANDFILL	PLASTIC	STAINLESS STEEL	STAINLESS STEEL	45	29.13	19.50	37.97
1961705	CONFIGURE 1 STREAM MIXED RECYCLING	PLASTIC	STAINLESS STEEL	STAINLESS STEEL	45	29.13	19.50	37.97
1961706	CONFIGURE 1 STREAM PAPER	PLASTIC	STAINLESS STEEL	STAINLESS STEEL	45	29.13	19.50	37.97
1961707	CONFIGURE 1 STREAM PLASTIC	PLASTIC	STAINLESS STEEL	STAINLESS STEEL	45	29.13	19.50	37.97
1961708	CONFIGURE 1 STREAM GLASS	PLASTIC	STAINLESS STEEL	STAINLESS STEEL	45	29.13	19.50	37.97
1961709	CONFIGURE 1 STREAM CANS	PLASTIC	STAINLESS STEEL	STAINLESS STEEL	45	29.13	19.50	37.97
1961710	CONFIGURE 1 STREAM ORGANIC WASTE	PLASTIC	STAINLESS STEEL	STAINLESS STEEL	45	29.13	19.50	37.97

BUILD YOUR OWN ▶ RUBBERMAIDCOMMERCIAL.COM/CUSTOMIZE

NOTE: OPEN TOP IS STOCK LID STYLE.





CONFIGURE™

INDOOR RECYCLING

▶ FRONT COLOR OPTIONS



▶ SIDE/BACK COLOR OPTIONS



SKU #	DESCRIPTION	LINERS	FRONT COLOR	SIDE/BACK COLOR	GALLONS	LENGTH (in.)	WIDTH (in.)	HEIGHT (in.)
1961750	CONFIGURE 2 STREAM LANDFILL/MIXED RECYCLING	PLASTIC	GREY STENNI GLOSS	TEXTURED BLACK	15/23	34.25	19.50	37.97
1961751	CONFIGURE 2 STREAM LANDFILL/MIXED RECYCLING	PLASTIC	GREY STENNI GLOSS	TEXTURED BLACK	15/33	34.25	19.50	37.97
1961752	CONFIGURE 2 STREAM LANDFILL/PAPER	PLASTIC	GREY STENNI GLOSS	TEXTURED BLACK	15/15	29.44	19.50	37.97
1961753	CONFIGURE 2 STREAM LANDFILL/PAPER	PLASTIC	GREY STENNI GLOSS	TEXTURED BLACK	15/23	34.25	19.50	37.97
1961754	CONFIGURE 2 STREAM LANDFILL/ORGANIC WASTE	PLASTIC	GREY STENNI GLOSS	TEXTURED BLACK	15/23	34.25	19.50	37.97
1961755	CONFIGURE 2 STREAM LANDFILL/MIXED RECYCLING	PLASTIC	GREY STENNI GLOSS	TEXTURED BLACK	23/33	39.05	19.50	37.97
1961756	CONFIGURE 3 STREAM LANDFILL/MIXED/ORGANIC WASTE	PLASTIC	GREY STENNI GLOSS	TEXTURED BLACK	15/15/15	44.10	19.50	37.97
1961757	CONFIGURE 3 STREAM PAPER/CANS/PLASTIC	PLASTIC	GREY STENNI GLOSS	TEXTURED BLACK	15/15/15	44.10	19.50	37.97
1961758	CONFIGURE 3 STREAM LANDFILL/PAPER/CANS	PLASTIC	GREY STENNI GLOSS	TEXTURED BLACK	15/15/15	44.10	19.50	37.97
1961759	CONFIGURE LANDFILL/PAPER/CANS	PLASTIC	GREY STENNI GLOSS	TEXTURED BLACK	15/23/23	53.71	19.50	37.97
1961760	CONFIGURE 4 STREAM LANDFILL/PAPER/PLASTIC/CANS	PLASTIC	GREY STENNI GLOSS	TEXTURED BLACK	15/15/15/15	58.76	19.50	37.97
1961771	CONFIGURE 4 STREAM PAPER/PLASTIC/CANS/GLASS	PLASTIC	GREY STENNI GLOSS	TEXTURED BLACK	15/15/15/15	58.76	19.50	37.97
1961772	CONFIGURE 4 STREAM LANDFILL/PAPER/CANS/ORGANIC WASTE	PLASTIC	GREY STENNI GLOSS	TEXTURED BLACK	15/15/15/15	58.76	19.50	37.97
1961773	CONFIGURE 5 STREAM GLASS/PAPER/PLASTIC/CANS/ORGANIC WASTE	PLASTIC	GREY STENNI GLOSS	TEXTURED BLACK	15/15/15/15/15	73.42	19.50	37.97
1961780	CONFIGURE 2 STREAM LANDFILL/MIXED RECYCLING	PLASTIC	STAINLESS STEEL	STAINLESS STEEL	15/23	34.25	19.50	37.97
1961781	CONFIGURE 2 STREAM LANDFILL/MIXED RECYCLING	PLASTIC	STAINLESS STEEL	STAINLESS STEEL	15/33	34.25	19.50	37.97
1961782	CONFIGURE 2 STREAM LANDFILL/PAPER	PLASTIC	STAINLESS STEEL	STAINLESS STEEL	15/15	29.44	19.50	37.97
1961783	CONFIGURE 2 STREAM LANDFILL/PAPER	PLASTIC	STAINLESS STEEL	STAINLESS STEEL	15/23	34.25	19.50	37.97
1961784	CONFIGURE 2 STREAM LANDFILL/ORGANIC WASTE	PLASTIC	STAINLESS STEEL	STAINLESS STEEL	15/23	34.25	19.50	37.97
1961785	CONFIGURE 2 STREAM LANDFILL/MIXED RECYCLING	PLASTIC	STAINLESS STEEL	STAINLESS STEEL	23/33	39.05	19.50	37.97
1961786	CONFIGURE 3 STREAM LANDFILL/MIXED RECYCLING/ORGANIC WASTE	PLASTIC	STAINLESS STEEL	STAINLESS STEEL	15/15/15	44.10	19.50	37.97
1961787	CONFIGURE 3 STREAM PAPER/CANS/PLASTIC	PLASTIC	STAINLESS STEEL	STAINLESS STEEL	15/15/15	44.10	19.50	37.97
1961788	CONFIGURE 3 STREAM LANDFILL/PAPER/CANS	PLASTIC	STAINLESS STEEL	STAINLESS STEEL	15/15/15	44.10	19.50	37.97
1961789	CONFIGURE 3 STREAM LANDFILL/PAPER/CANS	PLASTIC	STAINLESS STEEL	STAINLESS STEEL	15/23/23	53.71	19.50	37.97
1961790	CONFIGURE 4 STREAM LANDFILL/PAPER/PLASTIC/CANS	PLASTIC	STAINLESS STEEL	STAINLESS STEEL	15/15/15/15	58.76	19.50	37.97
1961801	CONFIGURE 4 STREAM PAPER/PLASTIC/CANS/GLASS	PLASTIC	STAINLESS STEEL	STAINLESS STEEL	15/15/15/15	58.76	19.50	37.97
1961802	CONFIGURE 4 STREAM LANDFILL/PAPER/CANS/ORGANIC WASTE	PLASTIC	STAINLESS STEEL	STAINLESS STEEL	15/15/15/15	58.76	19.50	37.97
1963087	CONFIGURE 5 STREAM GLASS/PAPER/PLASTIC/CANS/ORGANIC WASTE	PLASTIC	STAINLESS STEEL	STAINLESS STEEL	15/15/15/15/15	73.42	19.50	37.97

BUILD YOUR OWN ▶ RUBBERMAIDCOMMERCIAL.COM/CUSTOMIZE

NOTE: OPEN TOP IS STOCK LID STYLE.





CONFIGURE™

OUTDOOR RECYCLING WITH RAIN HOOD

The Configure™ decorative refuse containers provide a customizable recycling solution with sleek, smooth surfaces and contoured edges. This recycling system has a modern appearance that will fit seamlessly into any indoor or outdoor commercial environment.

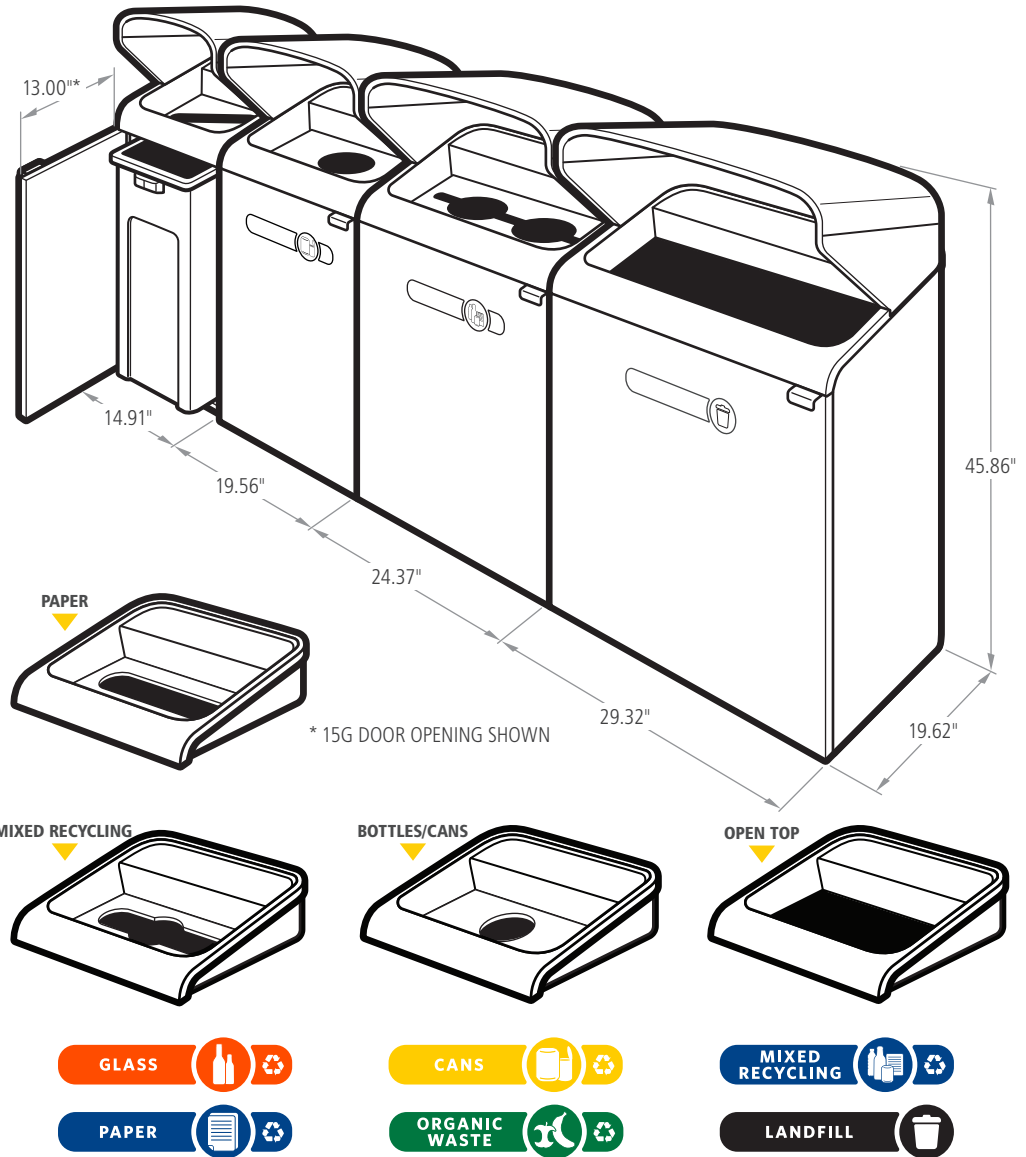
FEATURES AND BENEFITS:

FEATURES

- ▶ The rain hood protects against natural outdoor elements entering the receptacle
- ▶ Magnetic connection keeps the containers arranged in the order that best fits the space – in a row or an island
- ▶ The easy-access front door and handle allow for ergonomic emptying of waste
- ▶ The internal door hinge prevents unsightly wall damage and helps maintain a neat, clean appearance
- ▶ Rigid plastic liners with handles have built-in venting channels that create airflow, making removal of waste faster and easier, improving productivity
- ▶ Secure liner bags with integrated liner cinches, allowing for knot-free liner changes
- ▶ 230+ color options and the ability to laser cut or add a decal logo
- ▶ Shipped fully assembled

ACCESSORIES

- ▶ Optional lock and key ensures the contents of the receptacle remain securely stored in-between emptying, providing a cleaner surrounding area



ADDITIONAL WASTE STREAM LABELS AVAILABLE AT RUBBERMAIDCOMMERCIAL.COM/CUSTOMIZE

GALLONS	LENGTH (in.)	WIDTH (in.)	HEIGHT (in.)	DOOR OPENING
15G	14.91	19.62	45.86	13.00* (SHOWN)
23G	19.56	19.62	45.86	17.50
33G	24.37	19.62	45.86	22.03
45G	29.32	19.62	45.86	26.50

NOTE: FRONT DOOR LABELS SHOWN

BUILD YOUR OWN ▶ RUBBERMAIDCOMMERCIAL.COM/CUSTOMIZE



CONFIGURE™

OUTDOOR RECYCLING WITH RAIN HOOD

▶ FRONT COLOR OPTIONS



▶ SIDE/BACK COLOR OPTIONS



SKU #	DESCRIPTION	LINERS	FRONT COLOR	SIDE/BACK COLOR	GALLONS	LENGTH (in.)	WIDTH (in.)	HEIGHT (in.)
1961712	CONFIGURE 1 STREAM LANDFILL WITH RAIN HOOD	PLASTIC	GREY STENNI GLOSS	TEXTURED BLACK	15	14.91	19.62	45.86
1961713	CONFIGURE 1 STREAM MIXED RECYCLING WITH RAIN HOOD	PLASTIC	GREY STENNI GLOSS	TEXTURED BLACK	15	14.91	19.62	45.86
1961714	CONFIGURE 1 STREAM PAPER WITH RAIN HOOD	PLASTIC	GREY STENNI GLOSS	TEXTURED BLACK	15	14.91	19.62	45.86
1961715	CONFIGURE 1 STREAM PLASTIC WITH RAIN HOOD	PLASTIC	GREY STENNI GLOSS	TEXTURED BLACK	15	14.91	19.62	45.86
1961716	CONFIGURE 1 STREAM GLASS WITH RAIN HOOD	PLASTIC	GREY STENNI GLOSS	TEXTURED BLACK	15	14.91	19.62	45.86
1961717	CONFIGURE 1 STREAM CANS WITH RAIN HOOD	PLASTIC	GREY STENNI GLOSS	TEXTURED BLACK	15	14.91	19.62	45.86
1961718	CONFIGURE 1 STREAM ORGANIC WASTE WITH RAIN HOOD	PLASTIC	GREY STENNI GLOSS	TEXTURED BLACK	15	14.91	19.62	45.86
1961719	CONFIGURE 1 STREAM LANDFILL WITH RAIN HOOD	PLASTIC	GREY STENNI GLOSS	TEXTURED BLACK	23	19.56	19.62	45.86
1961720	CONFIGURE 1 STREAM MIXED RECYCLING WITH RAIN HOOD	PLASTIC	GREY STENNI GLOSS	TEXTURED BLACK	23	19.56	19.62	45.86
1961721	CONFIGURE 1 STREAM PAPER WITH RAIN HOOD	PLASTIC	GREY STENNI GLOSS	TEXTURED BLACK	23	19.56	19.62	45.86
1961722	CONFIGURE 1 STREAM PLASTIC WITH RAIN HOOD	PLASTIC	GREY STENNI GLOSS	TEXTURED BLACK	23	19.56	19.62	45.86
1961723	CONFIGURE 1 STREAM GLASS WITH RAIN HOOD	PLASTIC	GREY STENNI GLOSS	TEXTURED BLACK	23	19.56	19.62	45.86
1961724	CONFIGURE 1 STREAM CANS WITH RAIN HOOD	PLASTIC	GREY STENNI GLOSS	TEXTURED BLACK	23	19.56	19.62	45.86
1961725	CONFIGURE 1 STREAM ORGANIC WASTE WITH RAIN HOOD	PLASTIC	GREY STENNI GLOSS	TEXTURED BLACK	23	19.56	19.62	45.86
1961726	CONFIGURE 1 STREAM LANDFILL WITH RAIN HOOD	PLASTIC	GREY STENNI GLOSS	TEXTURED BLACK	33	24.37	19.62	45.86
1961727	CONFIGURE 1 STREAM MIXED RECYCLING WITH RAIN HOOD	PLASTIC	GREY STENNI GLOSS	TEXTURED BLACK	33	24.37	19.62	45.86
1961728	CONFIGURE 1 STREAM PAPER WITH RAIN HOOD	PLASTIC	GREY STENNI GLOSS	TEXTURED BLACK	33	24.37	19.62	45.86
1961729	CONFIGURE 1 STREAM PLASTIC WITH RAIN HOOD	PLASTIC	GREY STENNI GLOSS	TEXTURED BLACK	33	24.37	19.62	45.86
1961730	CONFIGURE 1 STREAM GLASS WITH RAIN HOOD	PLASTIC	GREY STENNI GLOSS	TEXTURED BLACK	33	24.37	19.62	45.86
1961741	CONFIGURE 1 STREAM CANS WITH RAIN HOOD	PLASTIC	GREY STENNI GLOSS	TEXTURED BLACK	33	24.37	19.62	45.86
1961742	CONFIGURE 1 STREAM ORGANIC WASTE WITH RAIN HOOD	PLASTIC	GREY STENNI GLOSS	TEXTURED BLACK	33	24.37	19.62	45.86
1961743	CONFIGURE 1 STREAM LANDFILL WITH RAIN HOOD	PLASTIC	GREY STENNI GLOSS	TEXTURED BLACK	45	29.32	19.62	45.86
1961744	CONFIGURE 1 STREAM MIXED RECYCLING WITH RAIN HOOD	PLASTIC	GREY STENNI GLOSS	TEXTURED BLACK	45	29.32	19.62	45.86
1961745	CONFIGURE 1 STREAM PAPER WITH RAIN HOOD	PLASTIC	GREY STENNI GLOSS	TEXTURED BLACK	45	29.32	19.62	45.86
1961746	CONFIGURE 1 STREAM PLASTIC WITH RAIN HOOD	PLASTIC	GREY STENNI GLOSS	TEXTURED BLACK	45	29.32	19.62	45.86
1961747	CONFIGURE 1 STREAM GLASS WITH RAIN HOOD	PLASTIC	GREY STENNI GLOSS	TEXTURED BLACK	45	29.32	19.62	45.86
1961748	CONFIGURE 1 STREAM CANS WITH RAIN HOOD	PLASTIC	GREY STENNI GLOSS	TEXTURED BLACK	45	29.32	19.62	45.86
1961749	CONFIGURE 1 STREAM ORGANIC WASTE WITH RAIN HOOD	PLASTIC	GREY STENNI GLOSS	TEXTURED BLACK	45	29.32	19.62	45.86
1961803	CONFIGURE 2 STREAM LANDFILL/MIXED RECYCLING WITH RAIN HOOD	PLASTIC	GREY STENNI GLOSS	TEXTURED BLACK	15/23	34.22	19.62	45.86
1961804	CONFIGURE 2 STREAM LANDFILL/MIXED RECYCLING WITH RAIN HOOD	PLASTIC	GREY STENNI GLOSS	TEXTURED BLACK	15/33	34.25	19.62	45.86
1961805	CONFIGURE 2 STREAM LANDFILL/MIXED RECYCLING WITH RAIN HOOD	PLASTIC	GREY STENNI GLOSS	TEXTURED BLACK	23/33	34.25	19.62	45.86

BUILD YOUR OWN ▶ RUBBERMAIDCOMMERCIAL.COM/CUSTOMIZE

NOTE: OPEN TOP IS STOCK LID STYLE.





CONFIGURE™

LIDS

The Configure™ decorative refuse containers provide a customizable recycling solution with sleek, smooth surfaces and contoured edges. This recycling system has a modern appearance that will fit seamlessly into any indoor or outdoor commercial environment.

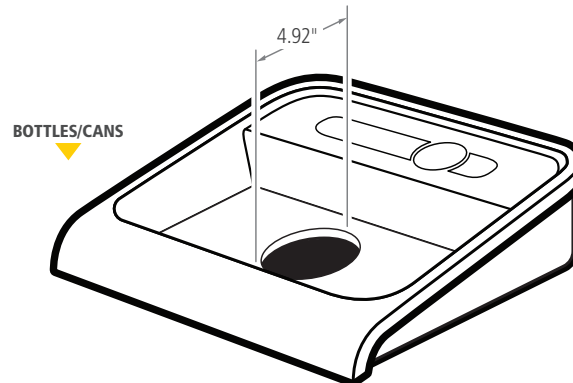
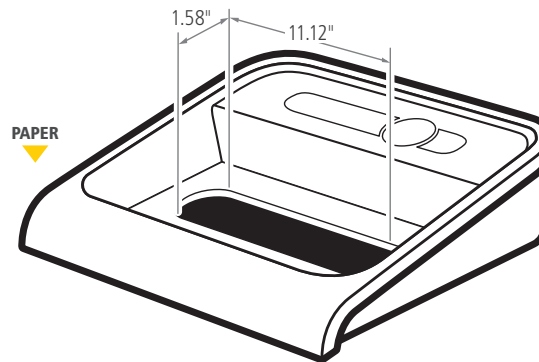
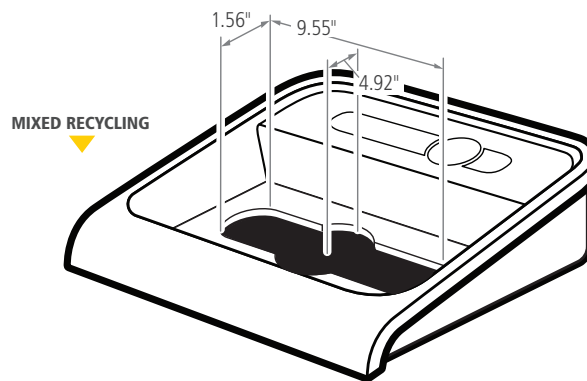
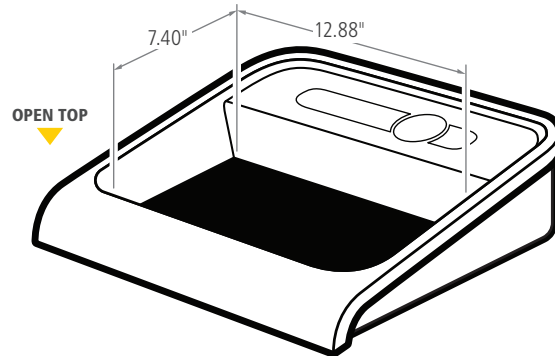
A SYSTEM TAILORED TO YOU:

LID TYPES

- ▶ A system with four different lid openings to provide visual cues that help get the waste in the right container. The Open Top Lid is available on all stock SKUs.

WASTE STREAM LABELS

- ▶ A collection of labels that visually display the waste stream: mixed recycling, paper, glass, plastic, cans, organic waste, landfill, compost, trash, and bottles/cans.

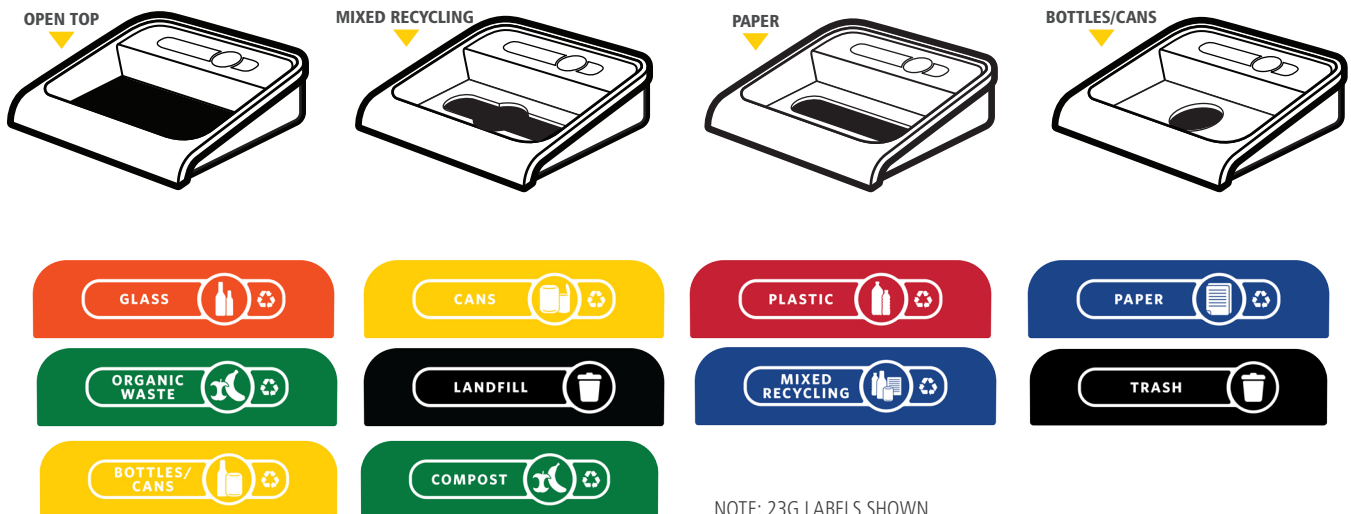




CONFIGURE™

LIDS

DESCRIPTION	GALLONS	LENGTH (in.)	WIDTH (in.)	DIAMETER CAN OPENING (IN.)
15G OPEN TOP	15	8.08	7.42	
15G MIXED	15	10.10	1.58	4.92
15G PAPER SLOT	15	10.04	1.58	
15G BOTTLES/CANS	15			4.92
23G OPEN TOP	15	12.88	7.40	
23G MIXED	15	9.55	1.56	4.92
23G PAPER SLOT	15	11.12	1.58	
23G BOTTLES/CANS	23			4.92
33G OPEN TOP	23	17.68	7.40	
33G MIXED	23	14.35	1.57	4.92 (2)
33G PAPER SLOT	23	15.93	1.58	
33G BOTTLES/CANS	23			4.92 (2)
45G OPEN TOP	23	22.49	7.42	
45G MIXED	23	19.15	1.58	4.92 (2)
45G PAPER SLOT	33	20.73	1.58	
45G BOTTLES/CANS	33			4.92 (2)



BUILD YOUR OWN [▶ RUBBERMAIDCOMMERCIAL.COM/CUSTOMIZE](https://www.rubbermaidcommercial.com/customize)



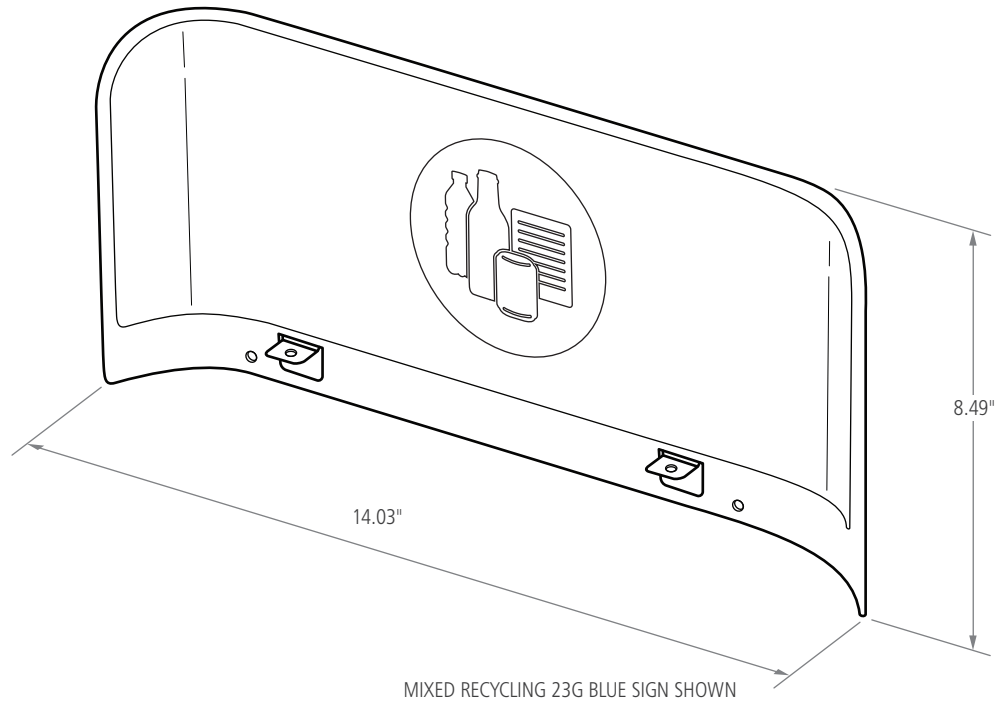


CONFIGURE™

ADDITIONAL SIGNAGE

The Configure™ decorative refuse containers provide a customizable recycling solution with sleek, smooth surfaces and contoured edges. This recycling system has a modern appearance that will fit seamlessly into any indoor or outdoor commercial environment.

The optional signage provides visual cues that aid in getting the waste in the right container.



23G ADDITIONAL SIGNAGE SHOWN



ORANGE – GLASS



GREEN – ORGANIC WASTE/COMPOST



BLUE – PAPER



BLUE – MIXED RECYCLING



RED – PLASTIC



BLACK – LANDFILL/TRASH

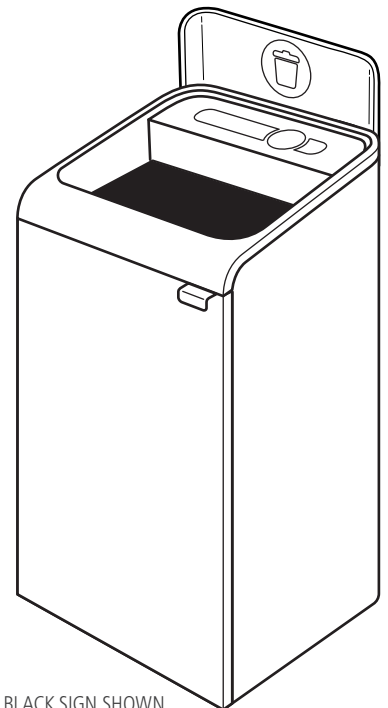


YELLOW – CANS



YELLOW – BOTTLES/CANS

LANDFILL/TRASH 23G BLACK SIGN SHOWN



BUILD YOUR OWN ► [RUBBERMAIDCOMMERCIAL.COM/CUSTOMIZE](https://www.rubbermaidcommercial.com/customize)



CONFIGURE™

ADDITIONAL SIGNAGE

SKU #	DESCRIPTION	COLOR	GALLONS	LENGTH (in.)	WIDTH (in.)	HEIGHT (in.)
1961572	CONFIGURE LANDFILL 15G BLACK SIGN	BLACK	15	14.03	1.78	8.49
1961576	CONFIGURE GLASS 15G ORANGE SIGN	ORANGE	15	14.03	1.78	8.49
1961580	CONFIGURE ORGANIC WASTE 15G GREEN SIGN	GREEN	15	14.03	1.78	8.49
1961584	CONFIGURE PLASTIC 15G RED SIGN	RED	15	14.03	1.78	8.49
1961588	CONFIGURE MIXED RECYCLING 15G BLUE SIGN	BLUE	15	14.03	1.78	8.49
1961589	CONFIGURE PAPER 15G BLUE SIGN	BLUE	15	14.03	1.78	8.49
1961596	CONFIGURE CANS 15G YELLOW SIGN	YELLOW	15	14.03	1.78	8.49
1961573	CONFIGURE LANDFILL 23G BLACK SIGN	BLACK	23	18.87	1.78	8.49
1961577	CONFIGURE GLASS 23G ORANGE SIGN	ORANGE	23	18.87	1.78	8.49
1961581	CONFIGURE ORGANIC WASTE 23G GREEN SIGN	GREEN	23	18.87	1.78	8.49
1961585	CONFIGURE PLASTIC 23G RED SIGN	RED	23	18.87	1.78	8.49
1961590	CONFIGURE MIXED RECYCLING 23G BLUE SIGN	BLUE	23	18.87	1.78	8.49
1961591	CONFIGURE PAPER 23G BLUE SIGN	BLUE	23	18.87	1.78	8.49
1961597	CONFIGURE CANS 23G YELLOW SIGN	YELLOW	23	18.87	1.78	8.49
1961574	CONFIGURE LANDFILL 33G BLACK SIGN	BLACK	33	23.64	1.78	8.49
1961578	CONFIGURE GLASS 33G ORANGE SIGN	ORANGE	33	23.64	1.78	8.49
1961582	CONFIGURE ORGANIC WASTE 33G GREEN SIGN	GREEN	33	23.64	1.78	8.49
1961586	CONFIGURE PLASTIC 33G RED SIGN	RED	33	23.64	1.78	8.49
1961592	CONFIGURE MIXED RECYCLING 33G BLUE SIGN	BLUE	33	23.64	1.78	8.49
1961593	CONFIGURE PAPER 33G BLUE SIGN	BLUE	33	23.64	1.78	8.49
1961598	CONFIGURE CANS 33G YELLOW SIGN	YELLOW	33	23.64	1.78	8.49
1961599	CONFIGURE CANS 45G YELLOW SIGN	YELLOW	45	28.45	1.78	8.49
1961575	CONFIGURE LANDFILL 45G BLACK SIGN	BLACK	45	28.45	1.78	8.49
1961579	CONFIGURE GLASS 45G ORANGE SIGN	ORANGE	45	29.13	1.78	8.49
1961583	CONFIGURE ORGANIC WASTE 45G GREEN SIGN	GREEN	45	28.45	1.78	8.49
1961587	CONFIGURE PLASTIC 45G RED SIGN	RED	45	29.13	1.78	8.49
1961594	CONFIGURE MIXED RECYCLING 45G BLUE SIGN	BLUE	45	28.45	1.78	8.49
1961595	CONFIGURE PAPER 45G BLUE SIGN	BLUE	45	28.45	1.78	8.49

BUILD YOUR OWN ► RUBBERMAIDCOMMERCIAL.COM/CUSTOMIZE

