



TOWABLE PALLET CART

Features and Benefits:

- Heavy-duty tow bar and hitch to tow up to 3 carts at once with a towing vehicle.
- Four pallet retainers designed to secure pallets in place while being transported.
- Compatible with all standard wooden and plastic pallets up to a standard 48"x 48" pallet.
- Patented handle with variable grip height.
- Textured deck surface reduces load slippage.
- (2) 8" fixed casters and (2) 8" swivel casters for improved maneuverability.

Sizes Available

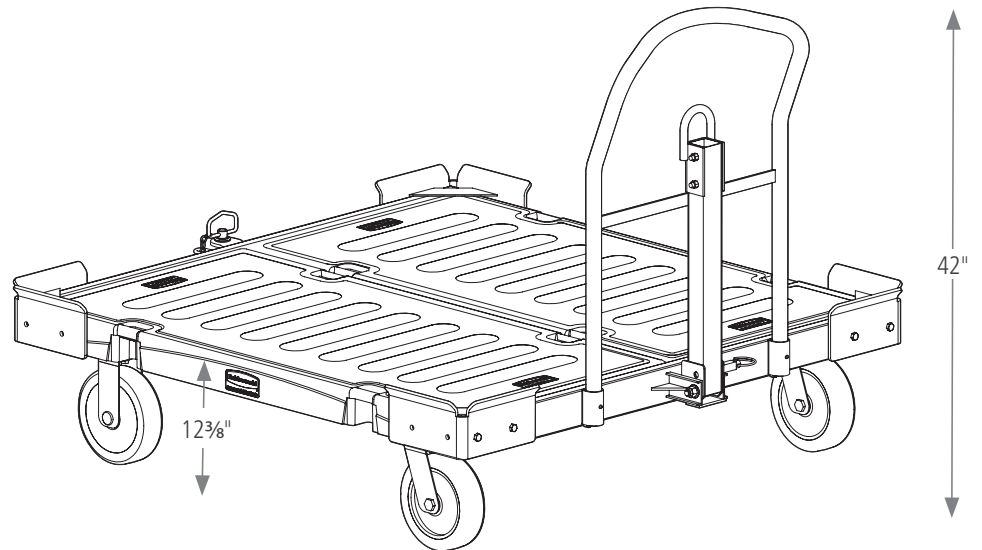
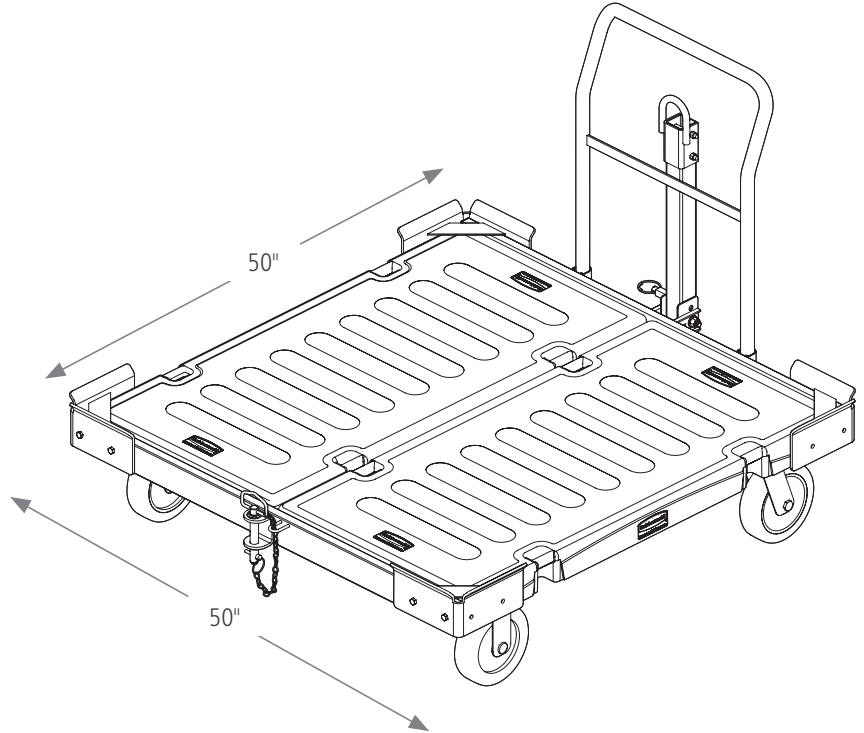
- 50" X 50"

Material Composition

- Duramold™ Deck constructed of resin and metal composite that is lighter than typical steel/wood products
- Powder-coated steel frame

Weight Capacity

- 2,500lbs



TOWABLE PALLET CART

| SKU # | DESCRIPTION | COLOR | CASTER TYPE | L X W X H | CASE PACK |
|--------------|-----------------------------------|-------|---------------|------------------------|-----------|
| 2154626 | 50" X 50" TOWABLE PALLET CART | BLACK | 8" POLYOLEFIN | 54.5" X 51.0" X 42.5" | 1 |
| FG1316L4RED | HITCH TOW/TRAIN TT | BLACK | N/A | 56.83" X 21.9" X 3.19" | 1 |
| FG4441L10000 | 8" POLYOLEFIN SWIV/FIXED CSTR KIT | N/A | N/A | N/A | 1 |