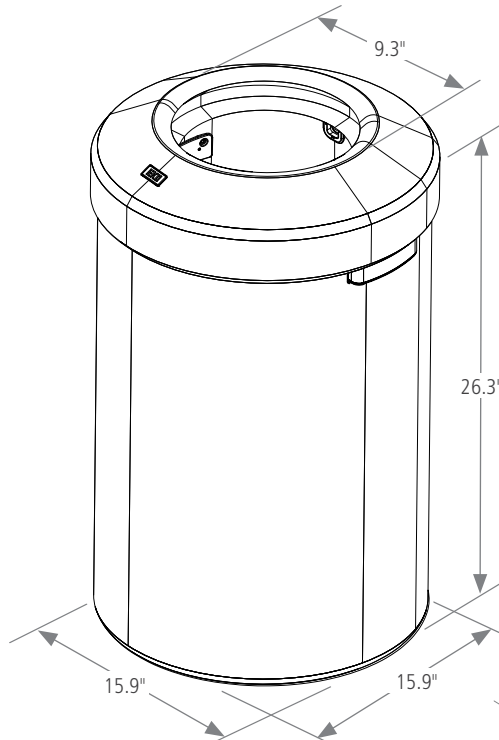




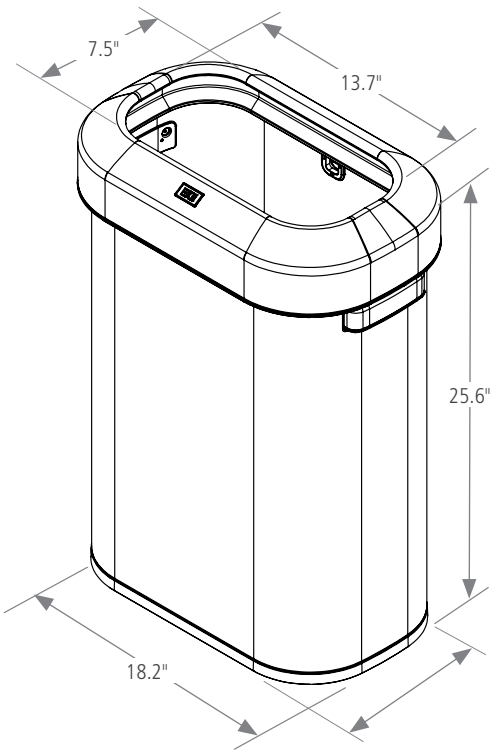
REFINE CONTAINERS

Features and Benefits:

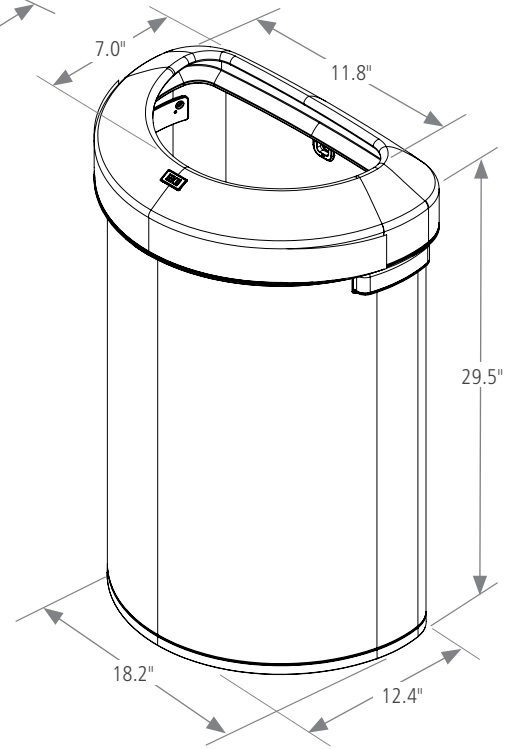
- Brushed stainless steel provides a classic aesthetic, guaranteed to enhance any environment.
- Lid lifts off for easy access to liner bag.
- Integrated liner cinch makes liner changes quick and easy.
- Integrated handles improve grip and ergonomics, reducing user strain and improving efficiency when emptying containers.



16G/60L ROUND TOP SS



15G/58L SLIM



16G/60L HALF ROUND

REFINE CONTAINERS

SKU #	DESCRIPTION	COLOR	CAPACITY	LENGTH	WIDTH	HEIGHT	PACK SIZE
			GAL / L	IN	IN	IN	UNIT
2147583	16G/60L ROUND TOP SS	STAINLESS STEEL	16G / 60L	15.9	15.9	26.3	1
2147584	23G/90L ROUND TOP SS	STAINLESS STEEL	23G / 90L	17.7	17.7	29.6	1
2147550	16G/60L HALF ROUND SS	STAINLESS STEEL	16G / 60L	18.2	12.4	29.5	1
2147582	21G/80L HALF ROUND SS	STAINLESS STEEL	21G / 80L	19.7	13.7	29.5	1
2147581	15G/58L SLIM CONTAINER SS	STAINLESS STEEL	15G / 58L	18.2	11.3	25.6	1