

Rubbermaid
Commercial Products[®]



TOUCH-FREE AUTOFLUSH[®]

**TOUCH-FREE HELPS REDUCE
CROSS-CONTAMINATION ON HANDS**



AUTOFLUSH SOLUTIONS

- 1 EASY INSTALLATION:**
Automate an existing manual flushing system in minutes, without shutting off water
- 2 SMART DESIGN:**
Combines an angled lens design with advanced sensor technology that activates even when the toilet seat is raised
- 3 DRY CAM-GEAR TECHNOLOGY:**
Patented technology controls the water flow, ensures worry-free operation, and eliminates solenoid valves to prevent costly repairs
- 4 LONG BATTERY LIFE:**
Lasts more than three years or up to 100,000 flushes for Sidemount or up to 60,000 flushes for Clamp
- Four C batteries included
- 5 COURTESY FLUSH BUTTON:**
Allows fixture to be flushed easily when needed
- 6 24 HOUR COURTESY FLUSH:**
Ensures fixture is flushed at least one time per day



**SIDEMOUNT
REPLACEMENT SOLUTION**
FG401187A



**CLAMP-STYLE
RETROFIT SOLUTION**
FG401805A

REFERENCE CHART

The two different options each include batteries and installation tools:

SYSTEM	FINISH	TOILET MODEL	URINAL MODEL ²	FITS SLOAN & ZURN VALVES	FITS COYNE & DELANY FLUSHBOY VALVES
AutoFlush Sidemount ¹	Polished Chrome	•	•	•	•
	Polished Chrome (/metal)	•	•	•	
AutoFlush Clamp ¹	Polished Chrome	•	•	•	
	Polished Chrome (/metal)	•	•	•	

¹Does not fit inside gravity assisted tank toilets | ²No courtesy flush



**40%
OF USERS
FLUSH
WITH THEIR FEET¹**

**80%
OF GERMS ARE
TRANSMITTED
BY HANDS²**

FLUSH HANDLES
CAN BE COVERED
IN AS MUCH AS
83
BACTERIA
PER SQUARE INCH³

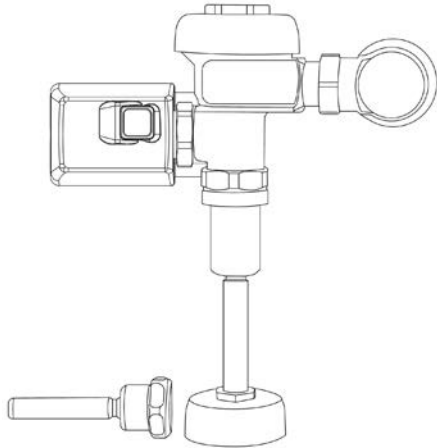
¹Sources: American Institute for Cleaning Sciences | ²University of Arizona Study, Dr. C. Gerba | ³Bathroom Bacteria, Senior Living, June 2018



INSTALLATION OPTIONS

Choose between two installation options to convert your existing manual fixture to a touch-free solution in minutes:

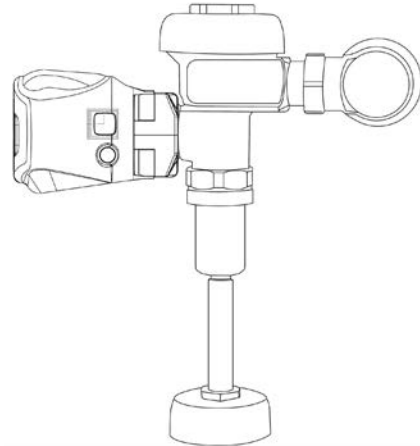
AutoFlush Sidemount



REPLACEMENT SOLUTION

Remove and replace current flush handle to automate existing system

AutoFlush Clamp



RETROFIT SOLUTION

Slides over flush handle to automate existing system

Toilet Flushers

NO.	DESCRIPTION	COLOR	CASE PACK
FOR SLOAN OR ZURN FLUSH VALVES			
FG401187A	AutoFlush Sidemount Toilet	Polished Chrome	1
FG401981	AutoFlush Sidemount Toilet - Metal	Polished Chrome	1
FOR COYNE & DELANY FLUSHBOY VALVES			
FG401206A	AutoFlush Sidemount Toilet	Polished Chrome	1

Top-selling item



FG401187A

Urinal Flushers

NO.	DESCRIPTION	COLOR	CASE PACK
FOR SLOAN OR ZURN FLUSH VALVES			
FG401186A	AutoFlush Sidemount Urinal	Polished Chrome	1
FG401982	AutoFlush Sidemount Urinal - Metal	Polished Chrome	1
FOR COYNE & DELANY FLUSHBOY VALVES			
FG401207A	AutoFlush Sidemount Urinal	Polished Chrome	1

Adapters

NO.	DESCRIPTION	CASE PACK
401096	AutoFlush High Mount Adapter Kit	1
401165	AutoFlush Crane Valve Adapter Kit	1
401239	AutoFlush Teck Valve Adapter Kit	1
401477	AutoFlush Tempus Valve Adapter Kit	1

Toilet Flushers

NO.	DESCRIPTION	COLOR	CASE PACK
FG401805A	AutoFlush Clamp Toilet	Polished Chrome	1
FG402059A	AutoFlush Clamp Toilet - Metal	Polished Chrome	1

Top-selling item



FG401805A

Urinal Flushers

NO.	DESCRIPTION	COLOR	CASE PACK
FG401804A	AutoFlush Clamp Urinal	Polished Chrome	1
FG402060A	AutoFlush Clamp Urinal - Metal	Polished Chrome	1

Adapters

NO.	DESCRIPTION	CASE PACK
401972	AutoFlush Coyne & Delany/Crane Rex Adapter Kit	1
401973	AutoFlush Canadian Adapter Kit (Crane, Teck, Tempus)	1
4870577	AutoFlush Power Adapter Kit	1

