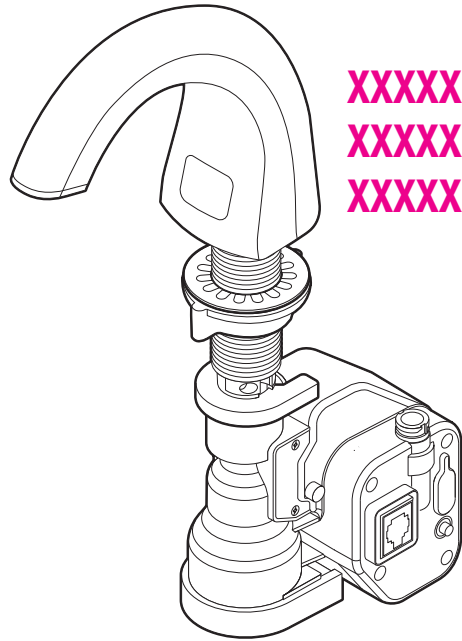


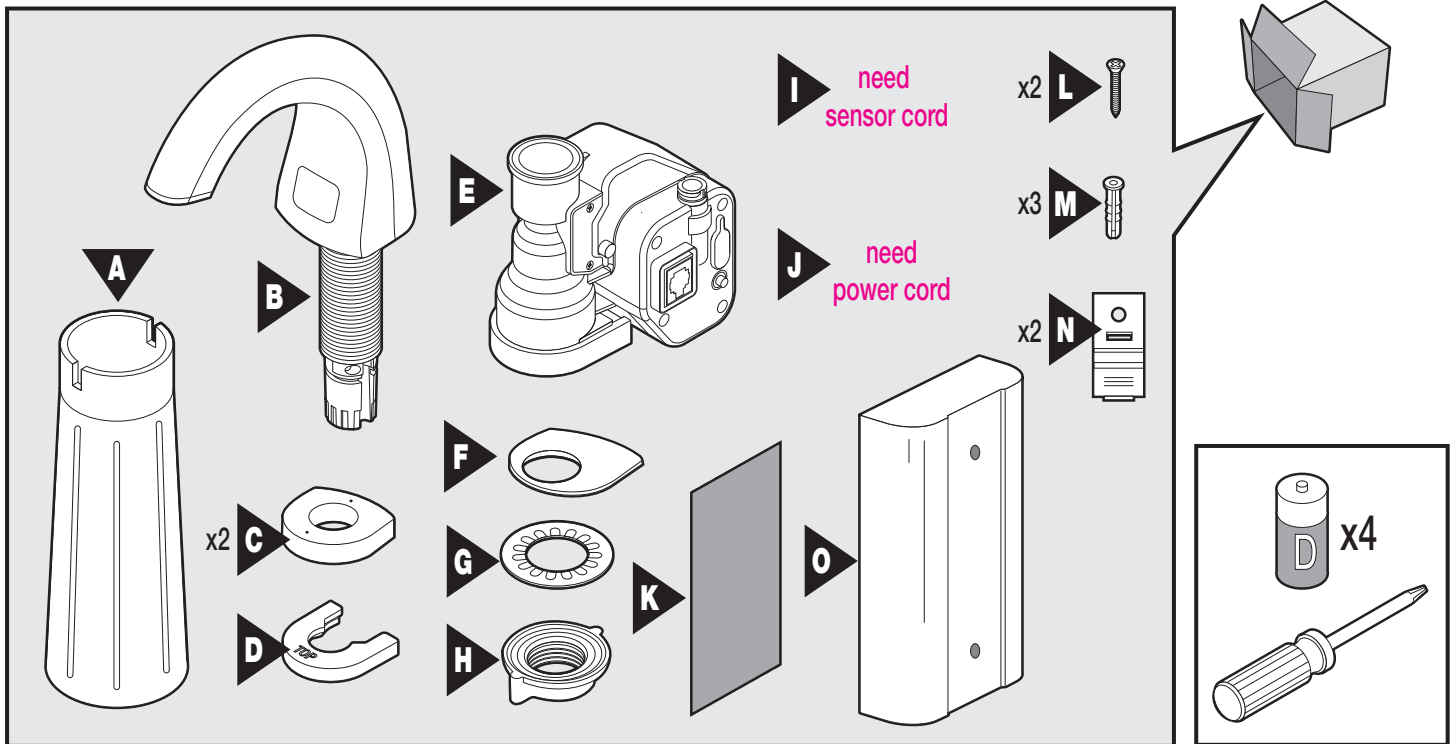


**OneShot Foam**  
**OneShot Foam**  
**OneShot Foam**



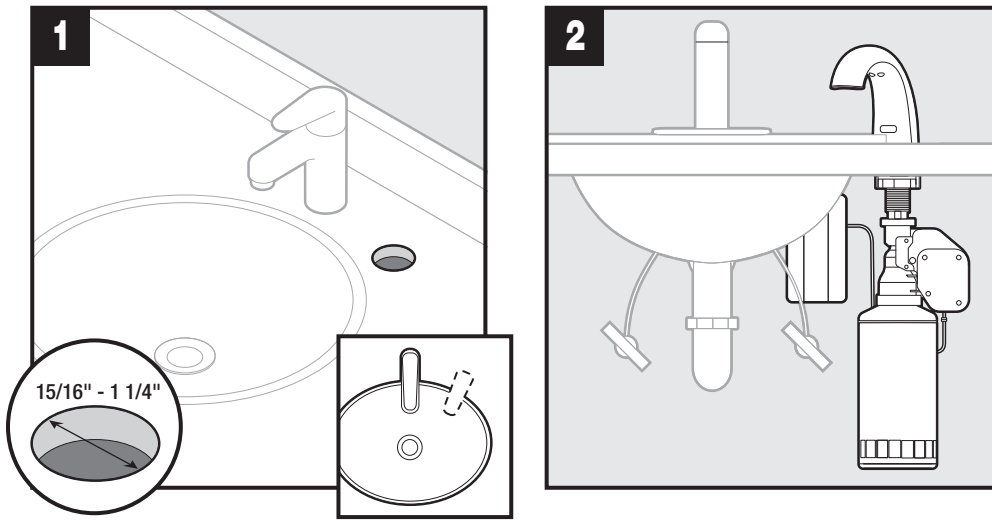
XXXXXXXXXX  
XXXXXXXXXX  
XXXXXXXXXX

need battery pack and both cords  
CAD

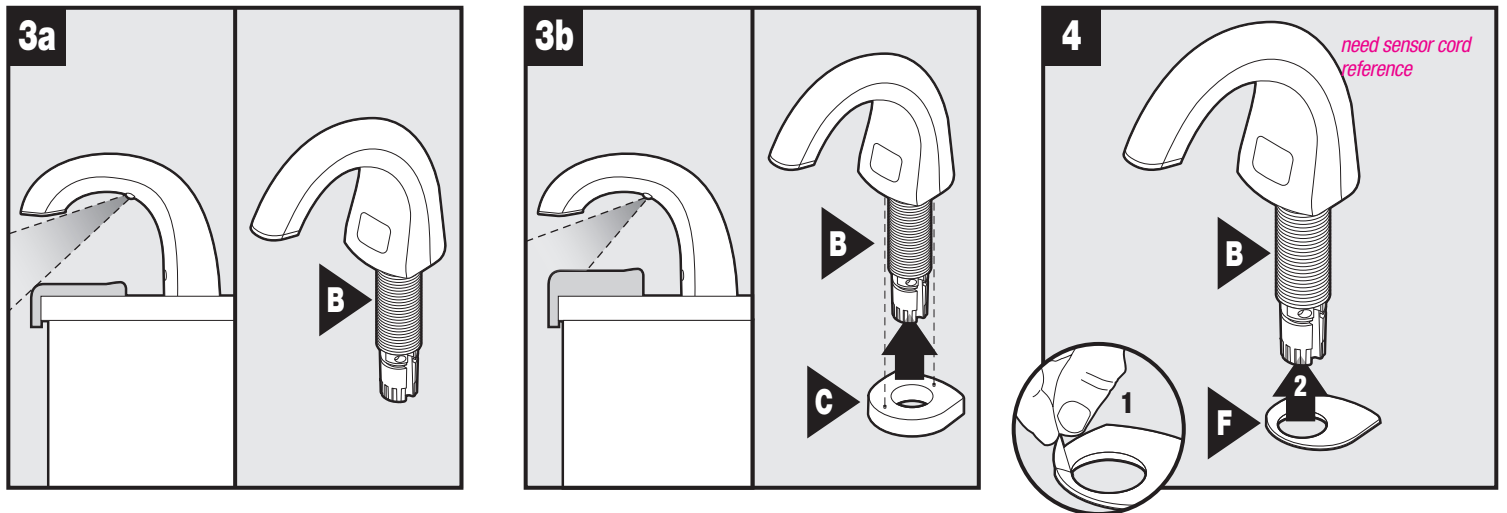


#XXXXXXXXXX

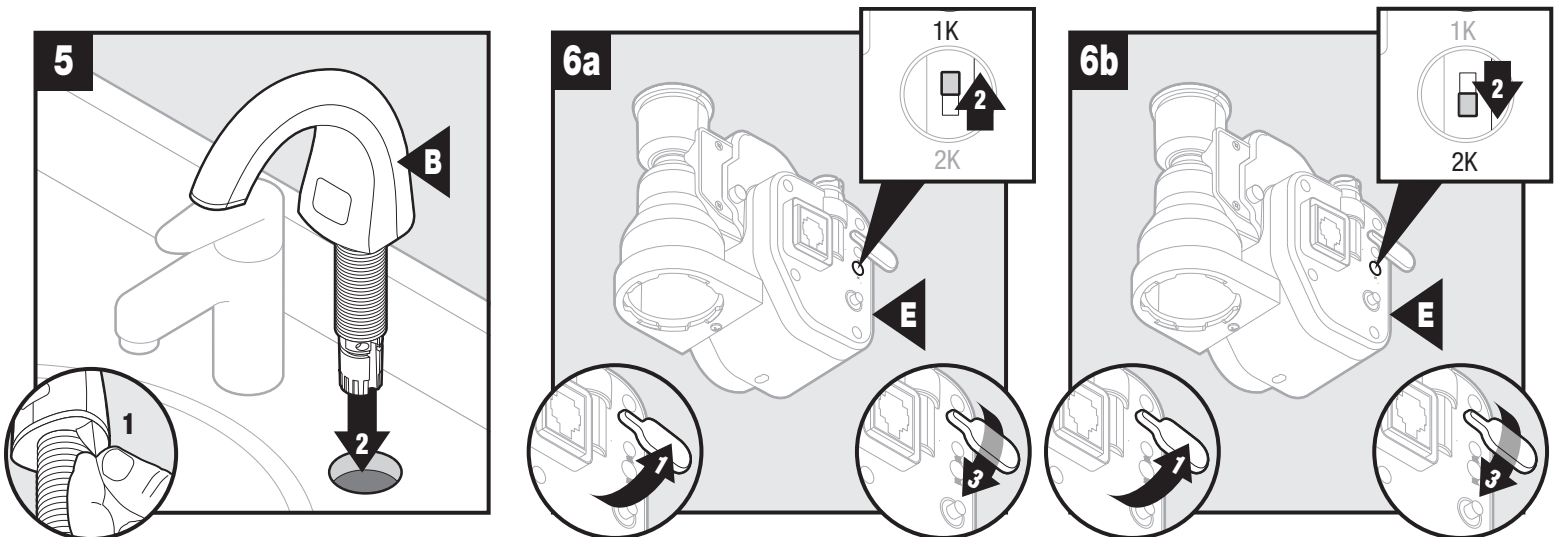
## Preparation/Préparation/Preparación



## Installation/Installation/Installation



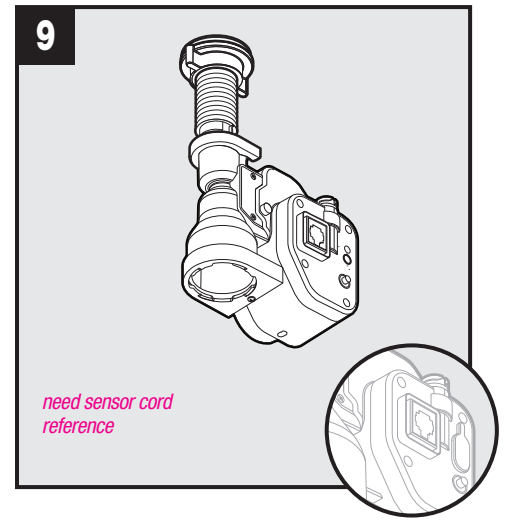
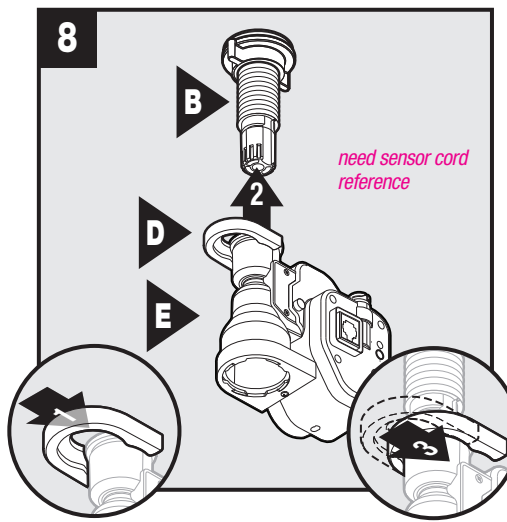
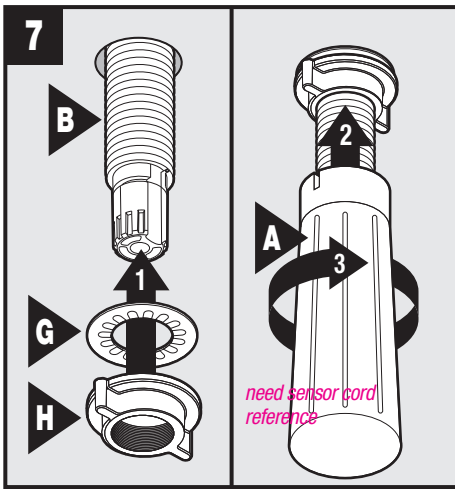
*Note: For thicker sinks./Note: For thicker sinks./Note: For thicker sinks.*



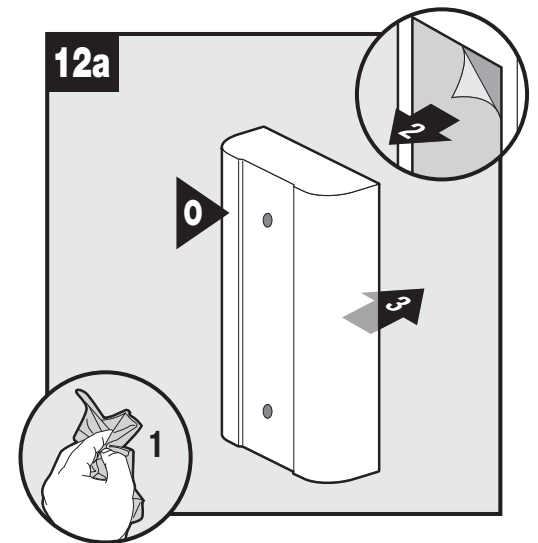
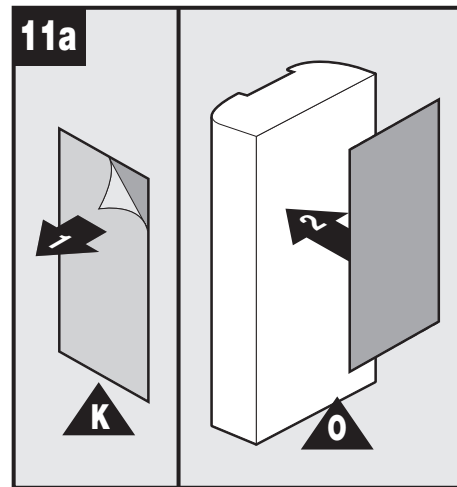
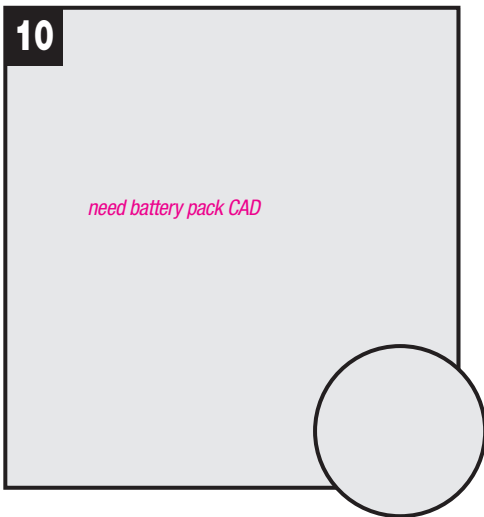
*Note: For 800 ml refill./Note: For 800 ml refill./Note: For 800 ml refill.*

*Note: For 1600 ml refill./Note: For 1600 ml refill./Note: For 1600 ml refill.*

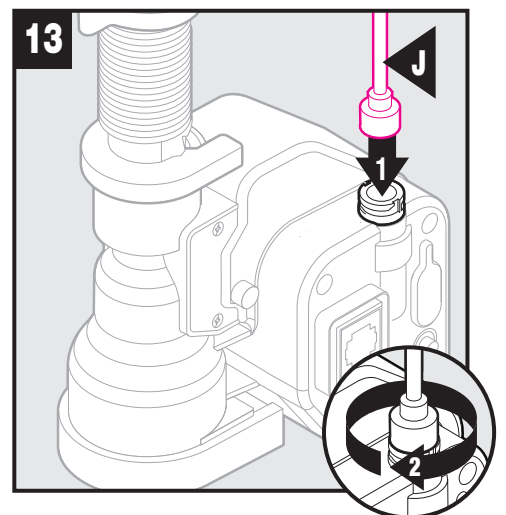
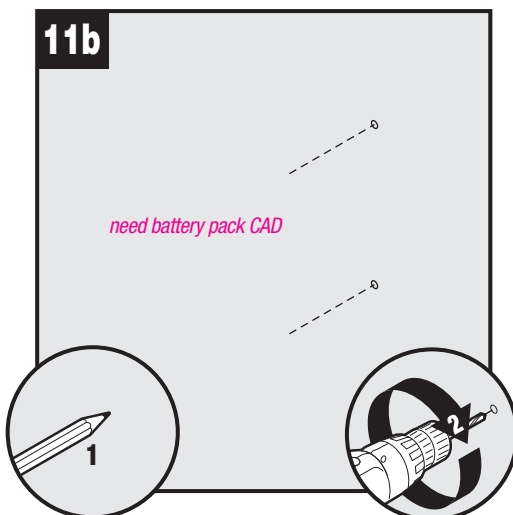
# Installation/Installation/Installation



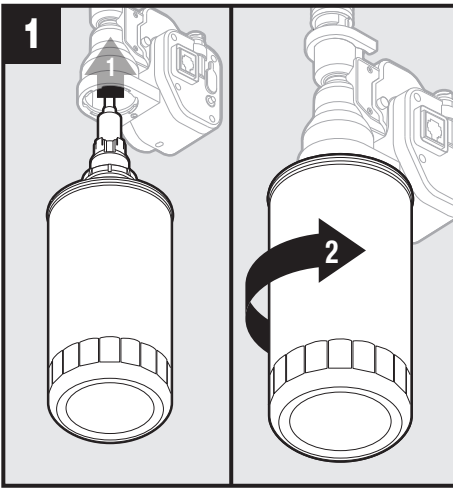
## Adhesive Mount/Cadre adhésif/Soporte adhesivo



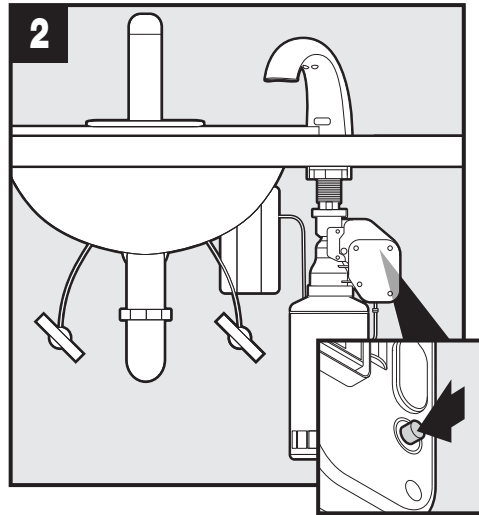
## Screw Mount/Cadre à visser/Soporte de tornillos



## Refill Installation/Installation de la cellule de remplacem/Instalación para recambio

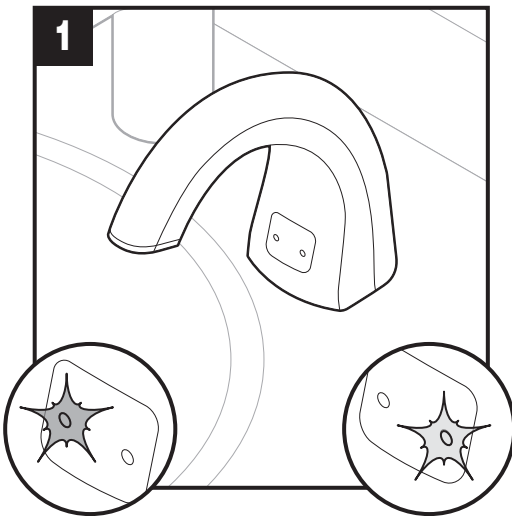


Note: Refill not included./Nota: Recarga no incluida./  
Remarque: Recharge non incluse.



**Important:** Press rest button to prime./ **Important:** Press rest button to prime./ **Important:** Press rest button to prime.

## Operation/Operation/Operation



Red: Refill Empty/Red: Refill Empty/Red: Refill Empty

Yellow: Low Battery/Yellow: Low Battery/Yellow: Low Battery